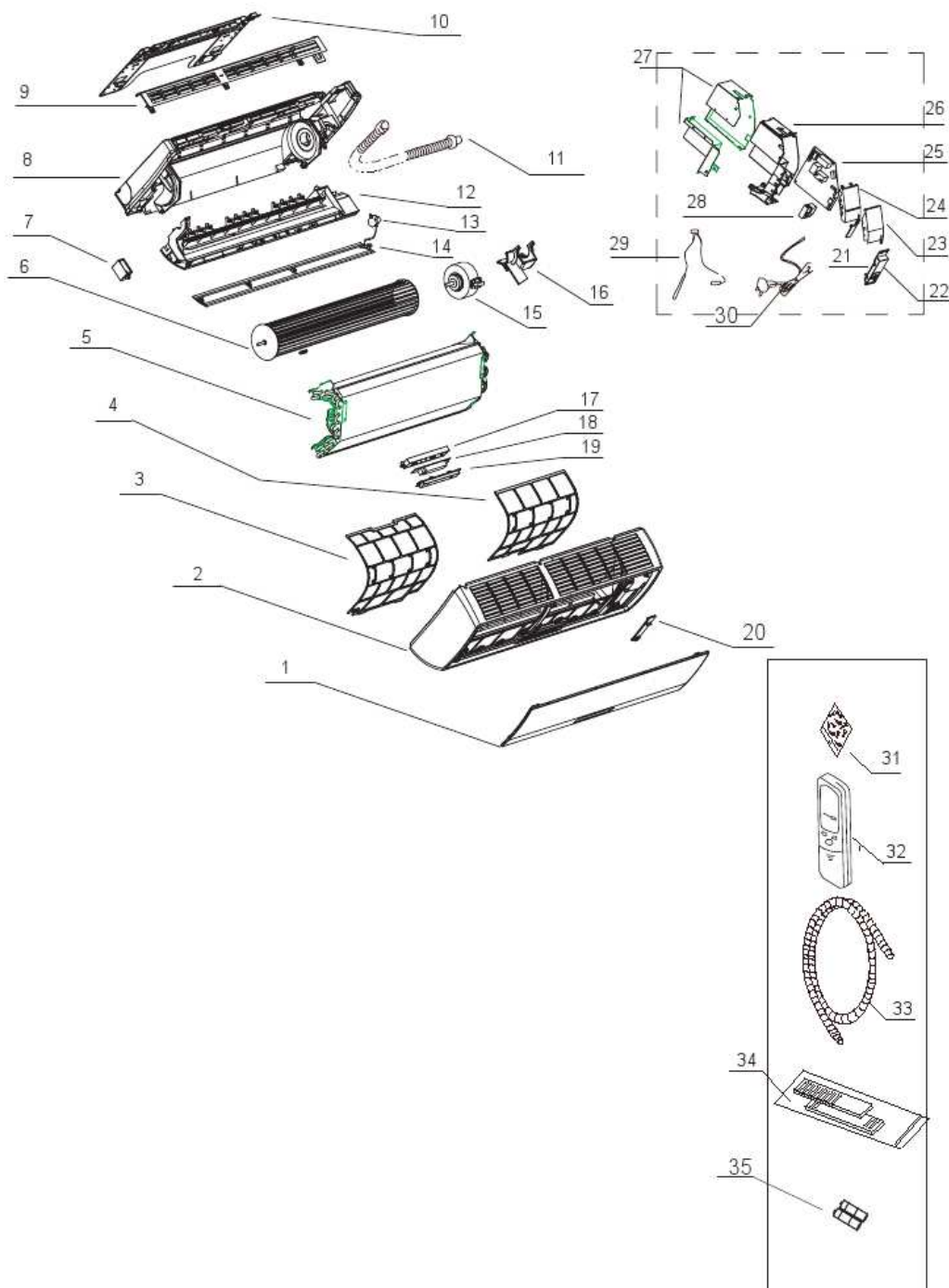
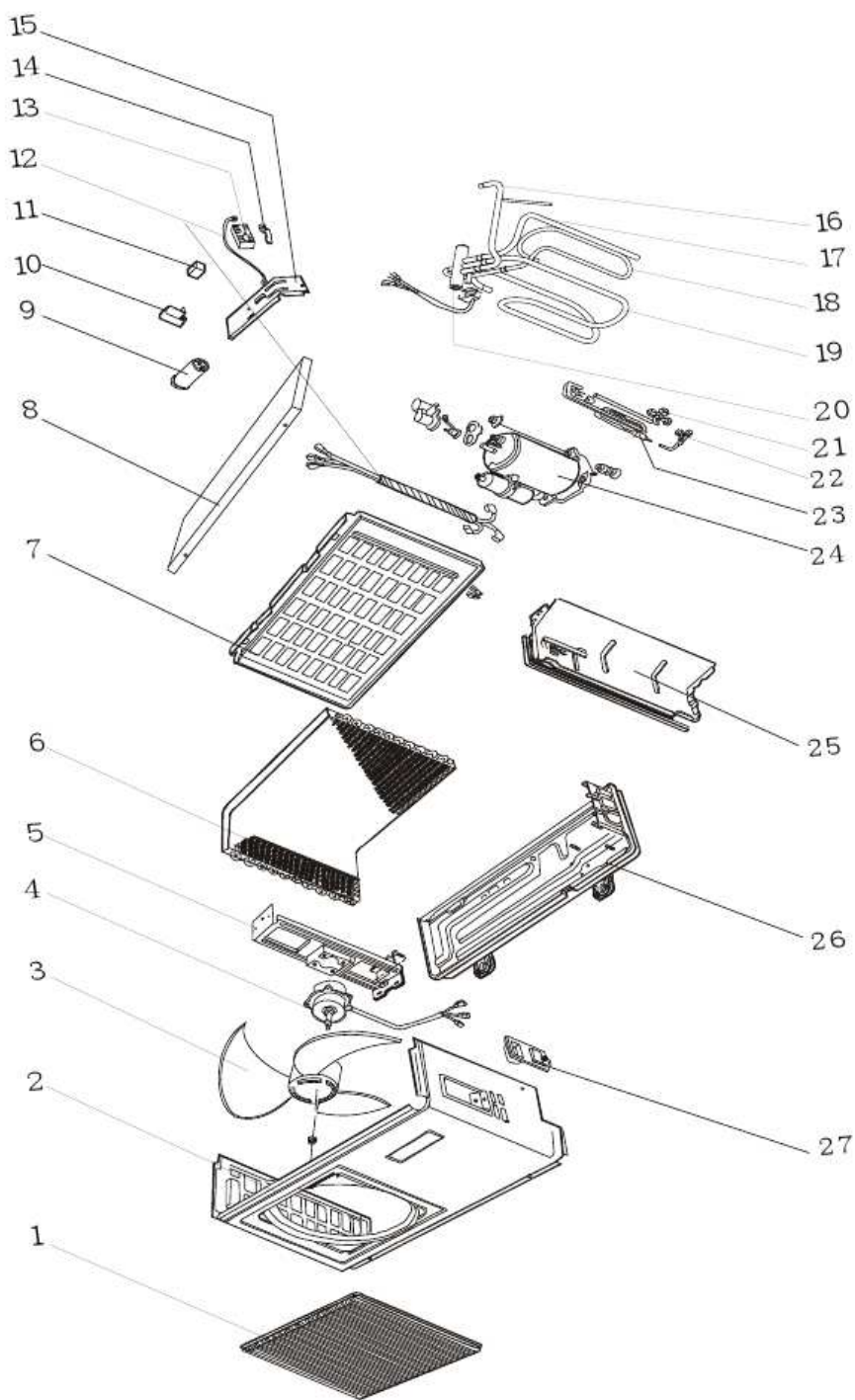


Esploso YASHA Silver 9 : unità interna



N	Description	Descrizione	Codice	N	Description	Descrizione	Codice
1	Inlet grille	Coperchio frontale	26081	16	indoor motor cover		
2	front panel	Pannello frontale	26029	17	Display panel box		
3	Air filter (L)	Filtro aria sx	26071	18	Display panel	Pannello display	26050
4	Air filter (R)	Filtro aria dx	26075	19	Display panel box cover		
5	Evaporator assy.			20	front panel support		
6	Cross flow fan	Ventola	26046	21	Electric box cover		
7	Negative ion generator	Generatore ioni negativi	26016	22	Electric box cover		
8	Frame assy.			23	Electric box cover		
9	Top Inlet grille	Griglia superiore	26023	24	Electric box cover		
10	Mounting plate	Dima fissaggio	26000	25	indoor PCB	Scheda	26003
11	Drain hose			26	Electric box		
12	Drain pan			27	Electric box protect board assy.		
13	swing motor	Motore alette	26044	28	Terminal block indoor		
14	blade	Aletta flap	26060	29	Sensor	Sonda	26058
15	Indoor fan motor	Motore ventola	26011	30	Power cable		

Esploso YASHA Silver 9 : unità esterna



N	Description	Descrizione	Codice	N	Description	Descrizione	Codice
1	Front grill	Griglia frontale	26051	16	Outlet pipe		
2	casing	Pannello frontale	26052	17	Inlet pipe		
3	Axial fan	Ventola	26026	18	Discharging tube		
4	outdoor fan motor	Motore ventola	26010	19	Suction tube		
5	Bracket for fan motor			20	4 way valve assy.	Gruppo valvola 4 vie	26095
6	Condenser assy.			21	3 way stop valve		
7	back guard			22	2 way stop valve		
8	top cover	Coperchio	26028	23	Capillary tube		
9	compressor capacitor	Condensatore compressore	26089	24	Compressor		
10	Clip for capacitor			25	partition board assy.		
11	capacitor for fan motor	Condensatore motore ventola	26090	26	Bottom plate assy.		
12	outdoor wire bunch			27	Terminal cover		
13	Terminal block						
14	Clip for wires			32	Remote controller	Telecomando	26088
15	Electric box			33	Drain hose		26017