

**CATALOGO
RICAMBI**

BAXI

Caldaie gamma LUNA 2000

LUNA 2000

Pos.	Descrizione	Codice ricambio	<div style="display: flex; justify-content: space-between;"> <div style="writing-mode: vertical-rl; transform: rotate(180deg); font-size: 8px;">CSBA3124X660-1-2 - LUNA 1_240 I</div> <div style="writing-mode: vertical-rl; transform: rotate(180deg); font-size: 8px;">CSBA3224X660-1 - LUNA AIR 240 I</div> <div style="writing-mode: vertical-rl; transform: rotate(180deg); font-size: 8px;">CSBA3224X660-1-2 LUNA 240 I</div> <div style="writing-mode: vertical-rl; transform: rotate(180deg); font-size: 8px;">CSBA3228X6601-2 - LUNA 240 I</div> <div style="writing-mode: vertical-rl; transform: rotate(180deg); font-size: 8px;">CSBA3524X660-1-2-3-4-LUNA 280 I</div> <div style="writing-mode: vertical-rl; transform: rotate(180deg); font-size: 8px;">CSBA35313620-1-2-3 - LUNA 1_240 FI</div> <div style="writing-mode: vertical-rl; transform: rotate(180deg); font-size: 8px;">CSBA3531X660-1-2-3-4-LUNA 1_310 FI MA</div> <div style="writing-mode: vertical-rl; transform: rotate(180deg); font-size: 8px;">CSBA3624X660-1-2 - LUNA AIR 240 FI</div> <div style="writing-mode: vertical-rl; transform: rotate(180deg); font-size: 8px;">CSBA3624X960-1-2-LUNA SUPER 240 FI</div> <div style="writing-mode: vertical-rl; transform: rotate(180deg); font-size: 8px;">CSBA3631X660-1-2-3-LUNA 310 FI</div> </div>											1	2	3	4	5	6	7	8	9	10	11	Matr. iniz.	Matr. fin.	Int.	Note
			1	MONTANTE VERNICIATO H=763	5653140																							
1	MONTANTE VERNICIATO H=803	5653150	•	•	•	•																						
2	FIANCO H=803	5112030	•	•	•	•										B709	S											
2	FIANCO H=803 (T5XI)	5116990	•	•	•	•										B710												
2	ASS.FIANCO SX H=763	5653630					•	•	•	•	•	•				B709	S											
2	ASSIEME FIANCO SX LUNA 3	5681390					•	•	•	•	•	•				B710												
3	ASS.FIANCO DX H=763	5653620					•	•	•	•	•	•				B709	S											
3	ASSIEME FIANCO DX LUNA 3	5681380					•	•	•	•	•	•				B710												
4	ASS.PANNEL.FRONT.ATM-S/MARCHIO	5655330	•	•	•	•										B709	S											
4	PANNELLO FRONTALE H=672	5112120					•	•	•	•	•	•				B709	S											
4	ASS.PANN.FRONT.ATM (T5XI)	5689150	•	•	•	•										B710												
4	PANNELLO FRONTALE H-672 TX5I	5116680					•	•	•	•	•	•				B710												
5	TRAVERSA COLLEG. MONTANTI	5110290	•	•	•	•	•	•	•	•	•	•																
6	SUPPORTO VASO ESPANSIONE	5109640	•	•	•	•	•	•	•	•	•	•																
7	TRAVERSA COLLEGAMENTO FIANCHI	5112020	•	•	•	•																						
8	TUBO PRESSOSTATO 4,5 X 8 L=270	5408080					•	•	•	•	•	•																
9	RIDUZIONE ASPIRAZIONE D.80	5108700					•	•	•	•	•	•																
10	RACCORDO FLANG. SCAR. FUMI	5207060					•	•	•	•	•	•																
11	GUARNIZIONE RACCORDO FLANG.	5407890					•	•	•	•	•	•																
12	TAPPO ASPIRAZIONE	5108690					•	•	•	•	•	•																
13	GUARNIZIONE TAPPO ASPIRAZIONE	5407400					•	•	•	•	•	•																
15	ASS.GIUNTO COLLEG.CURVA D60X22	600530					•	•	•	•	•	•																
17	CURVA CONVOGLIATORE	5211090					•	•	•	•	•	•																
18	VENTURI D.15 DOPPIA PRESA	5407050					•	•	•	•	•	•																
21	GUARNIZIONE 6,1X11,5X1,5 WRC	5402050	•	•	•	•	•	•	•	•	•	•																
22	VENTILATORE 1V MVL RLG108	5653850					•		•	•	•																	
22	VENTILATORE 1V MVL RLG108 75W	5655730					•	•				•																
23	PRESSOSTATO DIFFERENZIALE FUMI	5655120					•	•	•	•	•	•					S											
23	PRESSOST.DIFFERENZ. C6065F1100	5629560					•	•	•	•	•	•				B440	S											
23	PRESSOST.FUMI HON.C6065A1010-2	5617550									•																	
23	ASS.PRESSOSTATO 1,2MBAR-VITI	618470					•	•	•	•	•	•				B441												
24	TUBO PRESA COMPENSAZ. L=130	5407930					•	•	•	•	•	•																
25	ASS.CONVOGLIATORE FUMI 135°	5653170					•		•	•	•																	
25	ASS.CONVOGLIATORE FUMI 135°	5653180					•	•				•																
27	ASS. CAMERA COMBUSTIONE ATM	5653760	•	•	•																							
27	ASS. CAMERA COMBUSTIONE STAGNA	5653780					•		•	•	•					B605	S											
27	ASS. CAMERA COMBUSTIONE STAGNA	5655480					•	•				•				B605	S											
27	CAMERA COMB.28ATM-TRAV	5655510				•																						
27	ASS.C.ST.C/PR.PR+TUB.24Kw	618840					•			•	•	•				B606												
27	ASS.C.ST.C/PR.PR+TUB.31KW	618830					•			•	•	•				B606												
28	PANNELLO ISOLANTE LATERALE	5210250	•	•	•	•	•			•	•	•					S											
28	PANNELLO ISOLANTE LATERALE	5210910					•	•				•					S											
28	PANN.ISOL.LATERALE 24kW	5213180	•	•	•	•	•			•	•	•																
28	PANN.ISOL.LATERALE 31kW	5213190					•	•				•																
29	PANNELLO ISOLANTE POSTER. 24	5210280				•											S											
29	PANNELLO ISOLANTE POSTERIORE	5210260	•	•	•		•	•	•	•	•	•					S											
29	PANN.ISOL.POSTERIORE 28KW	5213240				•																						
29	PANN.ISOL.POSTERIORE 31KW	5213290	•	•	•		•	•	•	•	•	•																
30	PANNELLO ISOLANTE FRONTALE	5210270	•	•	•												S											
30	PANNELLO ISOLANTE FRONTALE	5210750					•	•	•	•	•	•					S											
30	PANN.ISOL.FRONTALE 24 ATM	5213310	•	•	•																							
30	PANNELLO ISOL.FRONTALE 31	5213340					•	•	•	•	•	•																
30	PANNELLO ISOLANTE FRONTALE 24	5210290				•											S											
30	PANN.ISOL.FRONTALE 28i	5213320				•																						
31	PARETE CAMERA COMBUSTIONE	5111840					•			•	•	•																
31	PARETE CAMERA COMBUSTIONE	5111850						•	•			•																

LUNA 2000

Pos.	Descrizione	Codice ricambio	<div style="display: flex; justify-content: space-between;"> <div style="writing-mode: vertical-rl; transform: rotate(180deg); font-size: 8px;">CSBA3124X660-1-2 - LUNA 1-240 I</div> <div style="writing-mode: vertical-rl; transform: rotate(180deg); font-size: 8px;">CSBA3224X660-1 - LUNA AIR 240 I</div> <div style="writing-mode: vertical-rl; transform: rotate(180deg); font-size: 8px;">CSBA3224X660-1-2 LUNA 240 I</div> <div style="writing-mode: vertical-rl; transform: rotate(180deg); font-size: 8px;">CSBA3228X660-1-2 - LUNA 280 I</div> <div style="writing-mode: vertical-rl; transform: rotate(180deg); font-size: 8px;">CSBA3524X660-1-2-3-4-LUNA 1-240 FI</div> <div style="writing-mode: vertical-rl; transform: rotate(180deg); font-size: 8px;">CSBA3531X660-1-2-3 - LUNA 1-240 FI</div> <div style="writing-mode: vertical-rl; transform: rotate(180deg); font-size: 8px;">CSBA3624X660-1-2-3-4-LUNA 1-310 FI MV</div> <div style="writing-mode: vertical-rl; transform: rotate(180deg); font-size: 8px;">CSBA3624X660-1-2 - LUNA AIR 240 FI</div> <div style="writing-mode: vertical-rl; transform: rotate(180deg); font-size: 8px;">CSBA3631X660-1-2-LUNA SUPER 240 FI</div> <div style="writing-mode: vertical-rl; transform: rotate(180deg); font-size: 8px;">CSBA3631X660-1-2-3-LUNA SUPER 310 FI</div> </div>											1	2	3	4	5	6	7	8	9	10	11	Matr. iniz.	Matr. fin.	Int.	Note
			31	PARETE FRONT. CAMERA COMBUST.	5108030	•	•	•																				
31	PARETE FRONT. CAMERA COMBUST.	5108500				•																						
32	ASS. SCAMB. ACQUA GAS 24+CLIP	5636760				•																						
32	ASS. SCAMB. H2O-GAS/CLIPS GIAN.	603280	•	•	•		•		•	•	•					S												
32	ASS. SCAMB. H2O-GAS/CLIPS C&M	5632470	•	•	•		•		•	•	•																	
32	ASS. SCAMB. ACQUA/GAS 310+CLIP	608550					•	•			•																	
33	ANELLO OR 22X3 EPDM	5403130	•	•	•	•	•	•	•	•	•	•	•															
34	CLIP TUBI SCAMB. ACQUA GAS	5112510	•	•	•	•	•	•	•	•	•	•	•															
35	VASO ESPANS. CIRC. 10L ZILMET	5608840				•	•	•			•					S												
35	VASO ESPANSIONE CIRC. 10L-CIMM-	5690740				•	•	•			•																	
35	VASO ESPANS. CIRC. 8L ZILMET	5625560	•	•	•		•		•	•	•					S												
35	VASO ESPANS. CIRC. 8L CIMM	5625570	•	•	•		•		•	•	•																	
36	ASS. TUBO VASO ESPANSIONE	5653290	•	•	•	•	•	•	•	•	•	•	•															
37	ASS. FRONTALE C.S. BAXI	5656490					•		•	•	•				B727	S												
37	ASS. FRONTALE C.S.	5653710					•		•	•	•				B728													
37	ASS. FRONTALE C.S. BAXI	5656500					•	•			•				B727	S												
37	ASS. FRONTALE C.S.	5653710					•	•			•				B728													
38	GUARNIZIONE PER VETRINO	5401610					•	•	•	•	•	•	•															
39	VETRINO ISPEZIONE FIAMMA	5203930					•	•	•	•	•	•	•															
40	CORNICE PER VETRINO C.S.	5103360					•	•	•	•	•	•	•															
41	ASS. BRUCIATORE 12 ELEMENTI	5653310					•		•	•																		
41	ASS. BRUCIATORE 15 ELEMENTI	5653300	•	•	•			•	•		•	•																
41	ASS. BRUCIATORE 18 ELEM.	5655610				•																						
42	ELEMENTO BRUCIATORE	5604090	•	•	•	•	•	•	•	•	•	•	•															
43	ASS. RAMPA 12 F-U D.0,77	605990					•		•	•																		
43	ASS. RAMPA 15 F-U D.0,69	606190	•	•	•						•																	
43	ASS. RAMPA 15 F-U D.1,18	606140	•	•	•						•																	
43	ASS. RAMPA 18 F-U D.0,67	606920				•																						
43	ASS. RAMPA 18 F-U D.1,18	606910				•																						
43	ASS. RAMPA 12 F-U D.1,28	605850					•		•	•																		
43	ASS. RAMPA 15 F-U D.0,77	607400						•	•		•																	
43	ASS. RAMPA 15 F-U D.1,28	607410						•	•		•																	
44	GR. UGELLI D.0,67 G.2000 GPL	608470				•																						
44	GR. UGELLI D.0,69 G.2000 GPL	608460	•	•	•						•																	
44	GR. UGELLI D.0,77 G.2000 GPL	608450					•	•	•	•	•	•																
44	GR. UGELLI D.1,18 G.2000 METANO	608440	•	•	•	•					•																	
44	GR. UGELLI D.1,28 G.2000 METANO	608430					•	•	•	•	•	•	•															
45	GUARNIZIONE RAMPA	5407940	•	•	•	•	•	•	•	•	•	•	•															
46	RACCORDO FLANGIATO PIANO	5210680	•	•	•	•	•	•	•	•	•	•	•			S												
46	ASS. RACCORDO FLANGIATO PIANO	5657180	•	•	•	•	•	•	•	•	•	•	•															
47	GUARNIZIONE RACCORDO RAMPA	5407810					•	•	•	•	•	•	•															
48	SCHERMO BRUCIATORI 2000	5112090	•	•	•	•									B634	S												
48	SCHERMO BRUCIATORI	5116650	•	•	•	•									B635													
49	TAPPO M14X1-RAC. FLANG.	5207070					•	•	•	•	•	•	•															
59	CAVO ACCENDITORE (X CONN.NAC)	8419050	•	•	•	•	•	•	•	•	•	•	•															
61	CUFFIA PER CANDELA	5404920	•	•	•	•																						
61	CUFFIA X CANDELA CAMERA STAGNA	5407830					•	•	•	•	•	•	•															
62	GR. PRESA DI PRES. C/PORTAGOMMA	5643090					•	•	•	•	•	•	•		B605	N												
62	PRESA DI PRESSIONE	5409570					•	•	•	•	•	•	•		B606													
63	CANDELA ACCENSIONE DX E RILEV.	8422570	•	•	•	•	•	•	•	•	•	•	•															
70	ASS. TUBO POMPA-SCAMB.	5653250	•	•	•		•		•	•	•				B718	S												
70	ASS. TUBO POMPA-SCAMBIATORE	5688840	•	•	•		•				•				B719													
70	ASS. TUBO POMPA-SCAMB.	5655470					•	•			•				B722	S												
70	ASS. TUBO POMPA-SCAMBIATORE	5688850					•	•			•				B723													
70	ASS. TUBO POMPA-SCAMB.	5655530				•																						
72	POMPA UP 15-50 AO GRUNDFOS	5655200	•	•	•		•		•	•	•																	

LUNA 2000

Pos.	Descrizione	Codice ricambio	CSBA3124X660-1-2 - LUNA 1 - 240 I											Matr. iniz.	Matr. fin.	Int.	Note		
			1	2	3	4	5	6	7	8	9	10	11						
72	POMPA UP 15-60 AO GRUNDFOS	5655620				•		•	•										
73	VALVOLA SFOGO ARIA C/ANELLO OR	607290	•	•	•	•	•	•	•	•	•	•	•	•	•				
74	ANELLO OR 14X1,78 EP	5406360	•	•	•	•	•	•	•	•	•	•	•	•	•				
75	GUARNIZIONE TUBI ACQUA C.S.	5404670					•	•	•	•	•	•	•	•					
76	SCAMB. 12 PIASTRE-ALFA LAVAL-	5653660		•	•					•	•	•							S
76	SC.CB16 12PIAS.ALFA LAVAL	5686670		•	•					•	•	•							
76	SCAMB. 14 PIASTRE-ALFA LAVAL-	5653680				•													S
76	SC.CB16 14PIAS.ALFA LAVAL	5686680				•													
76	SCAMB. 16 PIASTRE	5655780													•				S
76	SC.CB16 16PIAS.ALFA LAVAL	5686690													•			B738	S
76	SC.CB16 14PIAS.ALFA LAVAL	5686680													•			B739	
77	GUARNIZIONE SCAMB. A PIASTRE	5404520		•	•	•				•	•	•	•						
80	GR. ES - RR C/SENSORE ELETTR	5658680		•						•									
80	GR. RIEMPIMENTO-R.R.	5655650	•				•	•	•										
80	GR.ES-RR C/RUBINETTO	5653550			•	•						•	•	•					
81	GR. FILTRO TRASDUT.-100103	812140		•						•									
81	GR.FILTRO OTTURATORE	607240			•	•						•	•	•					
82	ASS. OTTURATORE	5630170			•	•						•	•	•					
85	ANELLO OR 20,63X2,62 E.P. -7-	5405350		•	•	•				•	•	•	•	•					
87	RACCORDO POMPA	5210710	•	•	•	•	•	•	•	•	•	•	•	•	•				
90	GR. RIEMPIMENTO	5630180		•	•	•				•	•	•	•	•					
91	RUBIN. OT. SCAR. CALD. 337221	5652030	•	•	•	•	•	•	•	•	•	•	•	•	•				
92	VALV. SICUR. C/OR 3 BAR	5653690	•	•	•	•	•	•	•	•	•	•	•	•	•				S
92	VALV.SICUREZZA 3 BAR	9951170	•	•	•	•	•	•	•	•	•	•	•	•	•				
96	ASS.TUBO HP (PRESA +)	5653280			•	•						•	•	•					
97	ASS.TUBO LP (PRESA -)	5653270			•	•						•	•	•					
98	ASS. TUBO BY-PASS MONOT.	5628240	•				•		•										
98	ASS. TUBO BY-PASS MONOTERMICA	5664370						•											
98	ASS.TUBO BY PASS	5653260		•	•	•				•	•	•	•	•					
99	CLIP PER TUBO D.12	5108130	•	•	•	•	•	•	•	•	•	•	•	•	•				
100	ANELLO OR 13,94X2,62 EPDM	5406630	•	•	•	•	•	•	•	•	•	•	•	•	•				
101	ASS.V3V PRESSOST.SENSORE	5653590			•	•						•	•	•					
102	ASSIEME V3V -150039-	5658690		•				•		•									
102	GR. PRESSOST/BY-PASS/M.R.	5628230	•				•		•										
102	GR.V3V-PRESSOSTATO	607250			•	•						•	•	•					
103	GR. SENSORE	5629950			•	•						•	•	•					
104	ASS. RACCORDO U.S.	5653840		•	•	•				•	•	•	•	•					
106	VITE M5X12TCEI-DIN 912 -57-	8101430		•	•	•				•	•	•	•	•					
107	ASS. RACCORDO GUIDA ASTINA	5630250	•	•	•	•	•	•	•	•	•	•	•	•	•				
109	GUARNIZIONE 10X14X1,5 AL -63-	5207810	•	•	•	•	•	•	•	•	•	•	•	•	•				
110	MOLLA TIPO 25 BIS -34-	8380530	•	•	•	•	•	•	•	•	•	•	•	•	•				
111	ASS. PIATTELLO PRESSOSTATO	5630240	•	•	•	•	•	•	•	•	•	•	•	•	•				
112	MEMBRANA CON ORECCHIETTA -4-	5405960	•				•		•										
112	MEMBRANA PRESSOSTATO -32-	5405320		•	•	•		•		•	•	•	•	•					
113	GR. MANDATA BY-PASS	5630190		•	•	•		•		•	•	•	•	•					
113	GR. MANDATA BY-PASS MT	5635220	•					•		•									
114	ANELLO OR 26,64X2,62 E.P. -50-	5403820			•	•						•	•	•					
115	GR. OTTUR.BY-PASS 100115+E0027	5645860	•	•	•	•	•	•	•	•	•	•	•	•	•				
117	ASS. PIATTELLO SANIT. 10.0213	5646180			•	•						•	•	•					
118	MOLLA CONICA -39-	8380520		•	•	•		•		•	•	•	•	•					
119	ASS. OTTURATORE RISC.	605760		•				•		•									
119	ASS. PIATTELLO RISCAL. 10.0214	5646170			•	•						•	•	•					
120	ASS. DISTANZIATORE	600750		•				•		•									
120	GR. OTTURATORE SANIT. 10.0193	5646190			•	•						•	•	•					
121	VITE M5X10TEI INOX304-13/21/43	8101410			•	•						•	•	•					
122	ANELLO OR 23,47X2,62 E.P. -49-	5405370	•		•	•	•	•	•	•	•	•	•	•					

LUNA 2000

Pos.	Descrizione	Codice ricambio	<div style="display: flex; justify-content: space-between;"> <div style="writing-mode: vertical-rl; transform: rotate(180deg);">CSBA3124X660-1-2 - LUNA 1-240 I</div> <div style="writing-mode: vertical-rl; transform: rotate(180deg);">CSBA3224X660-1 - LUNA AIR 240 I</div> <div style="writing-mode: vertical-rl; transform: rotate(180deg);">CSBA3224X660-1-2 - LUNA 240 I</div> <div style="writing-mode: vertical-rl; transform: rotate(180deg);">CSBA3228X660-1-2 - LUNA 240 I</div> <div style="writing-mode: vertical-rl; transform: rotate(180deg);">CSBA3524X660-1-2-3-4 - LUNA 280 I</div> <div style="writing-mode: vertical-rl; transform: rotate(180deg);">CSBA3531X660-1-2-3-4 - LUNA 1-240 FI</div> <div style="writing-mode: vertical-rl; transform: rotate(180deg);">CSBA3624X660-1-2-3-4 - LUNA 1-310 FI MV</div> <div style="writing-mode: vertical-rl; transform: rotate(180deg);">CSBA3624X660-1-2 - LUNA AIR 240 FI</div> <div style="writing-mode: vertical-rl; transform: rotate(180deg);">CSBA3624X660-1-2-3 - LUNA 240 FI</div> <div style="writing-mode: vertical-rl; transform: rotate(180deg);">CSBA3631X660-1-2-3 - LUNA SUPER 240 FI</div> </div>											1	2	3	4	5	6	7	8	9	10	11	Matr. iniz.	Matr. fin.	Int.	Note
			123	VITE M5X13TC INOX 304 -71-	8101440			●	●				●															
124	MOLLA -70-	8380540			●	●				●	●	●																
125	ASS. SPINGI MICRO	5630260			●	●				●	●	●																
126	ASS. PIATTELLO SENSORE	5630270			●	●				●	●	●																
127	MEMBRANA SENSORE -69-	5405330			●	●				●	●	●																
128	ANELLO OR 2,6X1,9 E.P. -61-	5405400			●	●				●	●	●																
129	NOTTOLINO GUIDA ASTINA -64-	5207860			●	●				●	●	●																
130	ASS. MICRO C/LEVA	5625770	●	●	●	●	●	●	●	●	●	●	●															
131	SONDA -SO10051-	9950930	●	●	●	●	●	●	●	●	●	●	●			S												
131	SONDA RAPIDA HONEYWELL-SO11001	8434820	●	●	●	●	●	●	●	●	●	●	●															
132	GUARNIZIONE SONDA 10X14X1,5	5402830		●	●	●			●	●	●	●																
135	TERMOST. LIM. 105°C C/FAST. PIEG.	9950760	●	●	●	●	●	●	●	●	●	●	●															
136	ASS TUBO SCAMB-V3V	5655460						●				●																
136	ASS. TUBO SCAMB.-V3V	5655560				●																						
136	ASS.TUBO SCAMB.-M.R.	5655640	●				●																					
136	ASS.TUBO SCAMB.-V3V	5653240		●	●				●	●	●																	
136	ASS.TUBO SCAMB-M.R.	5656010						●																				
137	BLOCCHETTO VALV. GAS	5210700	●	●	●	●	●	●	●	●	●	●	●															
138	ANELLO OR 22,22X2,62	5402010	●	●	●	●	●	●	●	●	●	●	●															
139	RACCORDO ENTRATA VALVOLA GAS	5210630	●	●	●	●	●	●	●	●	●	●	●															
140	ASS. VALV. GAS VK4105M 5033	5665210						●																				
140	VALVOLA GAS SIT-845 SIGMA	5653610	●	●	●	●	●	●	●	●	●	●	●															
140	VALV. GAS HON. -VK4105A 1027-	5644680	●	●	●	●	●	●	●	●	●	●	●															
140	ASS. VALV. GAS VK4105M 5033	5665210	●	●	●	●	●	●	●	●	●	●	●		B240													
141	ASS. BOBINA-FERMO MD 10001	8440130	●	●	●	●	●	●	●	●	●	●	●															
142	FERMO PER PERNO DI REGOLAZ.	5108980	●	●	●	●	●	●	●	●	●	●	●															
143	ASS. PERNO/MOLLA MET. MD10007	5637710	●	●	●	●	●	●	●	●	●	●	●															
144	MOLLA CILINDRICA PER METANO	8380640	●	●	●	●	●	●	●	●	●	●	●															
147	TRAVERSA PORTAR. VERNIC. MONO	5664840						●																				
147	TRAVERSA PORTARAC. VERNICIATA	5653160	●	●	●	●	●	●	●	●	●	●	●															
151	COPERCHIO COMANDI LUNA 2000	5407650	●	●	●	●	●	●	●	●	●	●	●															
152	CRUSC. SERIGR. LUNA AIR 240 FI	5658660							●																			
152	CRUSCOT. SERIG. LUNA SUPER 240	5656480									●																	
152	CRUSCOT. SERIGR. LUNA 1.240 FI	5655550					●																					
152	CRUSCOT. SERIGR. LUNA 1.310 FI	5656020							●																			
152	CRUSCOTTO SER. LUNA 1.310FI Mv	5666150						●																				
152	CRUSCOTTO SERI. LUNA AIR 240 I	5658670		●																								
152	CRUSCOTTO SERIGR. LUNA 1.240 I	5655600	●																									
152	CRUSCOTTO SERIGR. LUNA 240 FI	5655220								●																		
152	CRUSCOTTO SERIGR. LUNA 310 FI	5655760										●																
152	CRUSCOTTO SERIGRAF. LUNA 240 I	5655300				●																						
152	CRUSCOTTO SERIGRAF. LUNA 280 I	5655670					●																					
153	COPERCHIO MORSETTIERA	5407660	●	●	●	●	●	●	●	●	●	●	●															
154	SCHEDA LUNA INT 2000-SIT	5654950	●		●	●	●	●	●	●	●	●	●			S												
154	SCHEDA LUNA INT. 2000 HON/INEC	5655990	●		●	●	●	●	●	●	●	●	●		B437	S												
154	SCHEDA LUNA BMBC	5672510	●		●	●	●	●	●	●	●	●	●		B438													
154	SCHEDA OMNI 2000	5657840		●				●		●					B609	N												
154	SCHEDA LUNA OMNI2005 BMBC HON.	5678220		●				●		●					B610													
157	ANTINA	5407820	●	●	●	●	●	●	●	●	●	●	●															
166	MORSETTIERA 5P C/PORTAFUSIBILE	8421590	●	●	●	●	●	●	●	●	●	●	●															
167	PORTAFUSIBILE LUNA	5405340	●	●	●	●	●	●	●	●	●	●	●															
168	FUSIBILE 2A 250V	9950580	●	●	●	●	●	●	●	●	●	●	●															
169	ASS.MANOMETRO C/SUPPORTO	9951020	●	●	●	●	●	●	●	●	●	●	●			S												
169	ASS.MANOMETRO/PORTAMANOM	9951830	●	●	●	●	●	●	●	●	●	●	●															
174	MANOPOLA LUNA 2000	5407790	●		●	●	●	●	●		●	●	●															
174	MANOPOLA LUNA SILVER	5408150		●				●		●		●			B040	S												

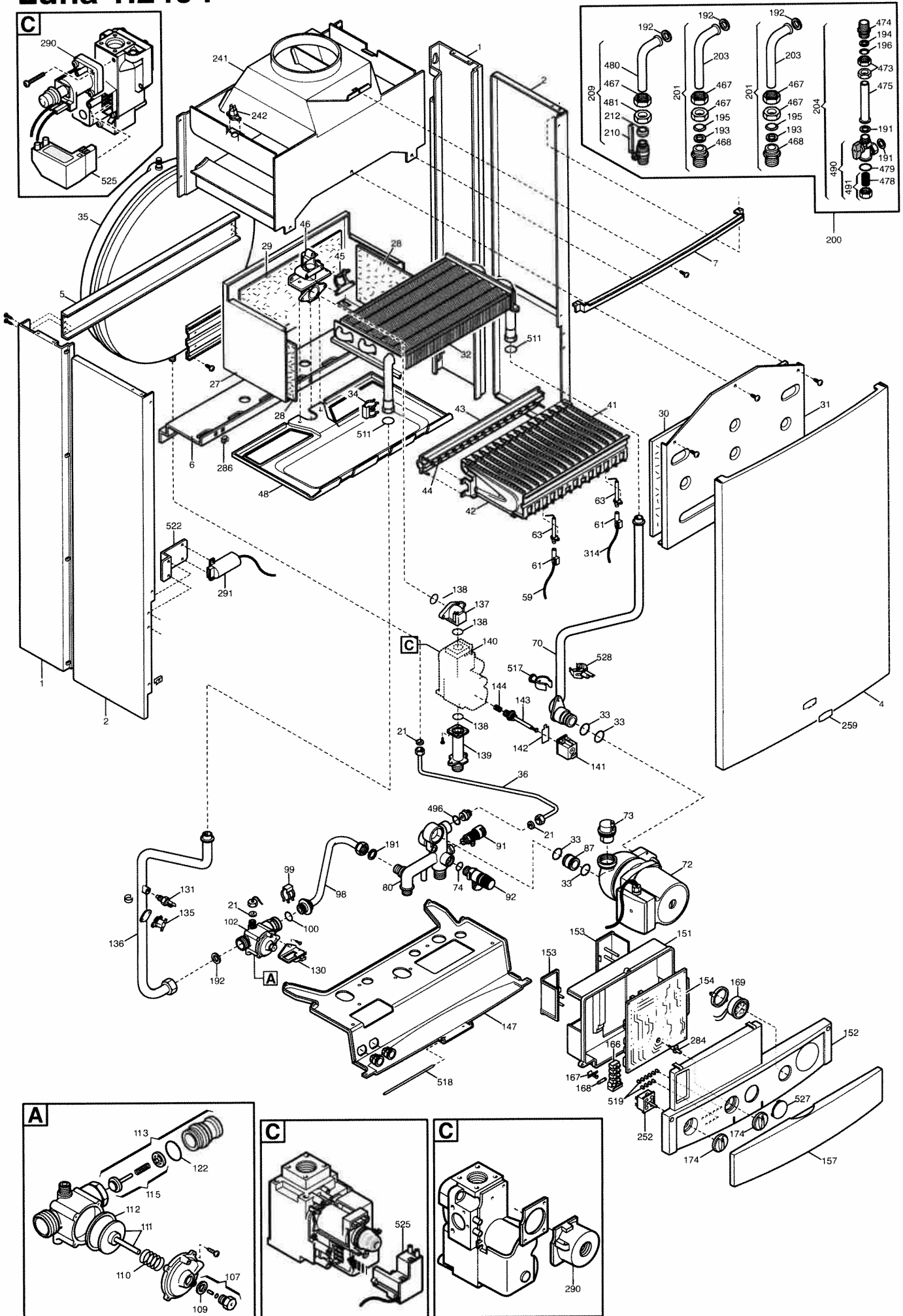
LUNA 2000

Pos.	Descrizione	Codice ricambio	CSBA3124X660-12 - LUNA 1_240 I											Matr. iniz.	Matr. fin.	Int.	Note		
			1	2	3	4	5	6	7	8	9	10	11						
174	MANOPOLA LUNA SILVER	5408150	•		•	•	•		•		•		•			B040			
190	GUARNIZIONE G3/8 8X15X2 WRC	5404970						•	•	•	•	•	•	•					
191	GUARNIZIONE G1/2 12X18X2 WRC	5404640	•	•	•	•	•	•	•	•	•	•	•	•					
192	GUARNIZIONE G3/4 17X24X2 WRC	5404650	•	•	•	•	•	•	•	•	•	•	•	•					
193	GUARNIZIONE PER TUBO D.18	5400940	•	•	•	•	•	•	•	•	•	•	•	•					
194	GUARNIZIONE PER TUBO D.14	5400950	•	•	•	•	•	•	•	•	•	•	•	•					
195	ANELLO ELASTICO PER TUBO D.18	5101880	•	•	•	•	•	•	•	•	•	•	•	•					
196	ANELLO ELASTICO PER TUBO D.14	5101890	•	•	•	•	•	•	•	•	•	•	•	•					
200	DOTAZIONE CALDAIA	5626010		•	•	•				•	•	•	•						
200	DOTAZIONE CALDAIA MONOT.	5628320	•				•	•	•										
201	RACCORDO RISCALDAMENTO	5625950	•	•	•	•	•	•	•	•	•	•	•	•					
203	TUBO MR-RR NICHELATO	5628020	•	•	•	•	•	•	•	•	•	•	•	•					
204	GR. RUBINETTO ES	5625980	•	•	•	•	•	•	•	•	•	•	•	•					
205	GR. CURVA 90/RAC. ASP. ARIA SUP	5657210												•					
206	GR. RACCOGLI COND/RID/GIUNTO	5659310												•					
209	GR. RUBINETTO GAS	5627620	•	•	•	•	•	•	•	•	•	•	•	•					
210	RUBINETTO MM G3/4 CON LEVA	9950830	•	•	•	•	•	•	•	•	•	•	•	•					
212	BICONO D.18-CU TE	5209040	•	•	•	•	•			•	•	•	•	•			B202	S	
212	BICONO IN PTFE D.18	5408330						•											
212	BICONO IN PTFE D.18	5408330	•	•	•	•	•			•	•	•	•	•			B202		
241	ASS. CAMERA FUMI 20	5625860	•	•	•														
241	ASS. CAMERA FUMI 24	5645560				•													
242	TH FUMI 70°-FAST.PIEG-COLLAUD.	600870	•	•	•														
242	TH FUMI R.A. 60°-FAST.PIEG.-CO	606930				•													
252	COMMUT.ROTATIVO GOTTAK 4 POSIZ	8434550	•	•	•	•	•	•	•	•	•	•	•	•					
259	MARCHIO BAXI	5657100	•	•	•	•	•	•	•	•	•	•	•	•					
280	GUARNIZIONE 14,2X18X1,5 AL-18-	5207730		•	•	•				•	•	•	•	•					
284	PERNO POTENZIOMETRO	5405990	•	•	•	•	•	•	•	•	•	•	•	•					
286	DADO IN GABBIA M5	8240530	•	•	•	•													
290	ASS. MODULAT. VK4105M 5033	5665230						•											
290	REGOLATORE V5306E 1226 1	600850	•	•	•	•	•			•	•	•	•	•			B240	S	
290	ASS. MODULAT. VK4105M 5033	5665230	•	•	•	•	•			•	•	•	•	•			B240		
291	ACCEND.C/CAVO-INECO-AC1A11401	5653930						•											
291	ACCEND.C/CAVO-INECO-AC1A11401	5653930	•		•	•	•			•		•		•				B444	N
291	ACCEND.C/CAVO-INECO-AC1A11401	5653930		•				•		•								B609	N
314	CAVO CANDELA RIVELAZIONE	8418870	•	•	•	•	•	•	•	•	•	•	•	•					
329	PORTAGOMMA M5	5207030					•			•	•	•	•						
336	MOLLA FIX MOTORE V3V	8380680		•						•									
337	MOTORE ELBI	5647340		•				•		•									
363	OR 13,6X2,7 HNBR-R0033-38-N/A	5410020			•	•						•	•	•					
467	DADO G 3/4 NICHELATO	9950310	•	•	•	•	•	•	•	•	•	•	•	•					
468	NIPPLO G 3/4 NICHELATO	5627970	•	•	•	•	•	•	•	•	•	•	•	•					
471	RACCORDO U.S.	5625960		•	•	•				•	•	•	•	•					
472	TUBO U.S. NICHELATO	5627990		•	•	•				•	•	•	•	•					
473	DADO G 1/2 NICHELATO	9950300	•	•	•	•	•	•	•	•	•	•	•	•					
474	NIPPLO G 1/2 NICHELATO	5627980	•	•	•	•	•	•	•	•	•	•	•	•					
475	TUBO D.14 L=100 ES-NICHELATO	5628000	•	•	•	•	•	•	•	•	•	•	•	•					
478	FILTRO SANITARIO	5110040	•	•	•	•	•	•	•	•	•	•	•	•					(20)
479	ANELLO OR 20,35X1,78 NBR	5405190	•	•	•	•	•	•	•	•	•	•	•	•					
480	TUBO GAS NICHELATO	5628010	•	•	•	•	•	•	•	•	•	•	•	•					
481	DADO G 3/4 NICHELATO	5628030	•	•	•	•	•	•	•	•	•	•	•	•					
490	RUBINETTO ES C/FILTRO-CIMBERIO	5625970	•	•	•	•	•	•	•	•	•	•	•	•					
491	ASS. TAPPO-FILTRO	5637070	•	•	•	•	•	•	•	•	•	•	•	•				B733	S
491	GR.TAPPO G1/2 E 2 FILTRI	624440	•	•	•	•	•	•	•	•	•	•	•	•			B734		
493	ASS. POMOLO	605660		•	•	•				•	•	•	•	•					
496	O-RING 2062	400020	•	•	•	•	•	•	•	•	•	•	•	•					

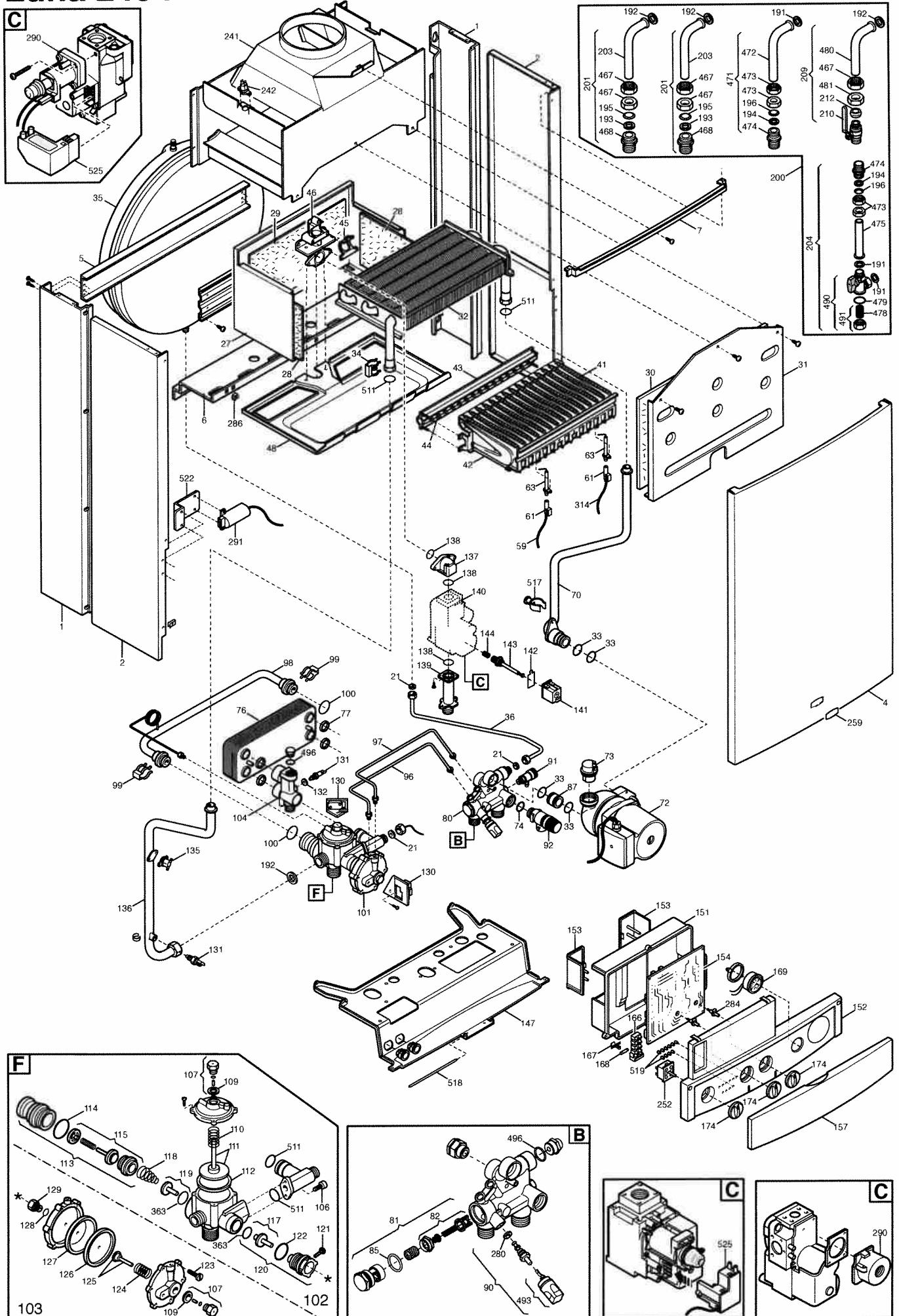
LUNA 2000

Pos.	Descrizione	Codice ricambio	<div style="display: flex; justify-content: space-between;"> CSBA3124X660-1-2 - LUNA 1-240 I CSBA3224X690-1 - LUNA AIR 240 I CSBA3224X660-1-2 LUNA 240 I CSBA3228X660-1-2 - LUNA 240 I CSBA3524X660-1-2 - LUNA 280 I CSBA35313620-1-2-3-4-LUNA 1-240 FI CSBA3531X660-1-2-3-4-LUNA 1-310 FI MN CSBA3624X660-1-2 - LUNA AIR 240 FI CSBA3624X660-1-2-LUNA 240 FI CSBA3631X660-1-2-3-LUNA SUPER 240 FI </div>											Matr. Iniz.	Matr. fin.	Int.	Note		
			1	2	3	4	5	6	7	8	9	10	11						
510	ASS. OTTURATORE SANIT.	600760		●					●	●									
511	ANELLO OR 17,86X2,62 EP -56-	5404600	●	●	●	●	●	●	●	●	●	●	●	●					
516	PERNO	5210670						●	●	●	●	●	●	●					
517	ANCORAGGIO PER TUBO	5407840	●	●	●	●	●	●	●	●	●	●	●	●					
518	PERNO CRUSCOTTO	5112040	●	●	●	●	●	●	●	●	●	●	●	●					
519	GEMMA SEGNALAZIONE LUNA	5407780	●	●	●	●	●	●	●	●	●	●	●	●					
520	DEFLETTORE ARIA	5112050						●	●	●	●	●	●	●					
521	MOLLA AGGANCIAMENTO DEFLETTORE	8380730						●	●	●	●	●	●	●					
522	SQUADR. ACCENDITORE VERNICIATA	5655180	●		●	●	●		●		●		●					B444	
522	SQUADR. ACCENDITORE VERNICIATA	5655180		●					●		●							B609	
525	CONNETTORE NAC-SIT 0504014	8419060	●	●	●	●	●	●	●	●	●	●	●	●					
525	CONNETTORE ACCENDITORE ANSTOSS	8510910	●		●	●	●		●		●		●					B445	
525	CONNETTORE ACCENDITORE ANSTOSS	8510910		●					●		●							B610	
527	TAPPO LUNA MONOTERMICA	5408000	●					●		●									
528	SONDA A CONTATTO ITS	8434590	●					●		●									S
528	ASS. Sonda ITS BLUE(BETA34)	5695450	●					●		●									
624	RILEVATORE EFFETTO HALL	8434650		●							●								
627	CONNET. CONFIGUR. AIR	8419350		●							●								
627	CONNETTORE CONFIGURAZ. SCHEDA	8611750							●										
686	VALVOLA NON RITORNO BY-PASS	5663020							●										
999	CABL. BT-SENSORE DI FLUSSO	8419340		●							●								
999	CABL. COMPONENTI B.T. HON.	5655110	●		●	●	●	●		●		●	●	●				B240	
999	CABL. COMPONENTI B.T. - SIT	5655100	●		●	●	●	●		●		●	●	●					
999	CABL. MORSETTIERA	8418950	●	●	●	●	●	●	●	●	●	●	●	●					
999	CABL. TERMOST. FUMI/TERMOST. LIM.	8419140	●	●	●	●													
999	CABL. VENTIL/PRES. FUMI/TERM. LIM	8419160					●	●	●	●	●	●	●	●					
999	CABLAGGIO ACCEND. -VALV. GAS HON	8419150		●				●		●								B609	
999	CABLAGGIO ACCEND. -VALV. GAS HON	8419150	●		●	●	●		●		●		●					B444	
999	CABLAGGIO B.T. VALV 3 VIE	8510430						●											
999	CABLAGGIO V-3-V ELETTRICA	8419320		●							●								S
999	CABLAGGIO MOTORE V3V MAX	8419270		●				●		●									
999	CABLAGGIO POMPA-COMMUTATORE	8419130	●	●	●	●	●	●	●	●	●	●	●	●					
999	CAVO ALIMENTAZIONE	8414620	●	●	●	●	●	●	●	●	●	●	●	●					
999	CAVO MASSE - HON	8419040	●		●	●	●		●		●		●					B444	
999	CAVO MASSE - HON	8419040		●					●		●							B609	
999	CAVO MASSE-SIT-	8419080	●	●	●	●	●	●	●	●	●	●	●	●					
999	CONNETTORE TIMER	8418860	●	●	●	●	●	●	●	●	●	●	●	●					

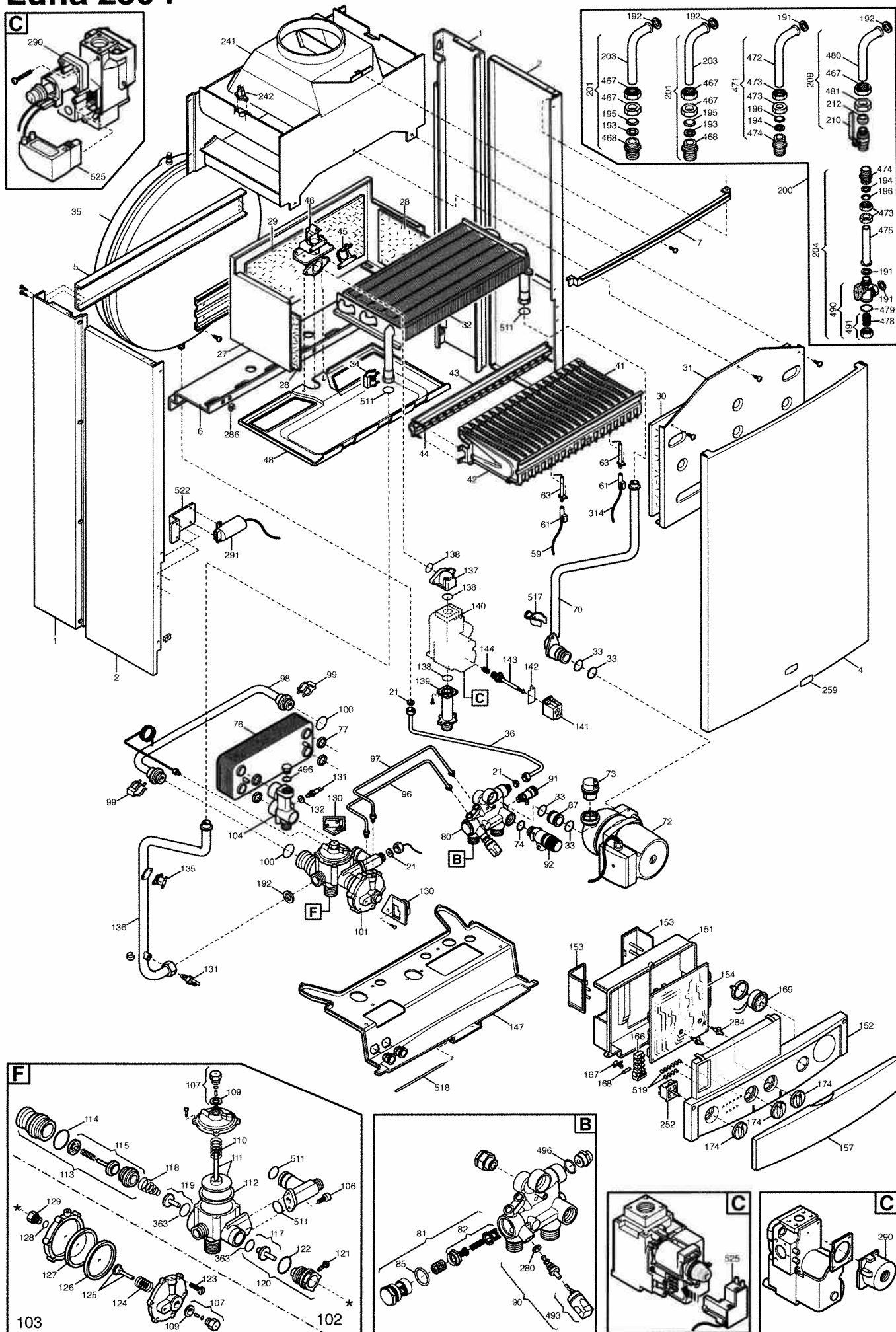
Luna 1.240 i



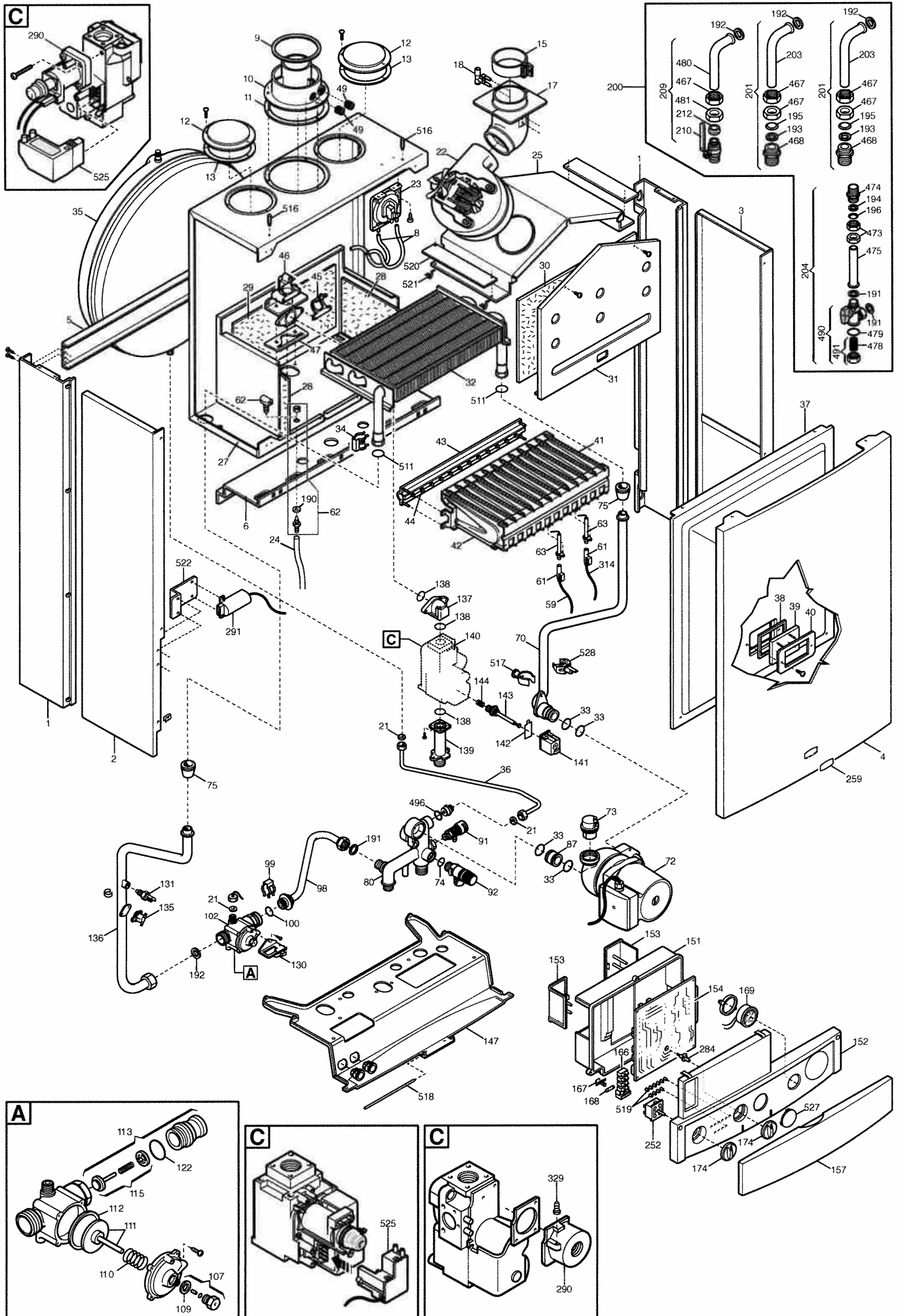
Luna 240 i



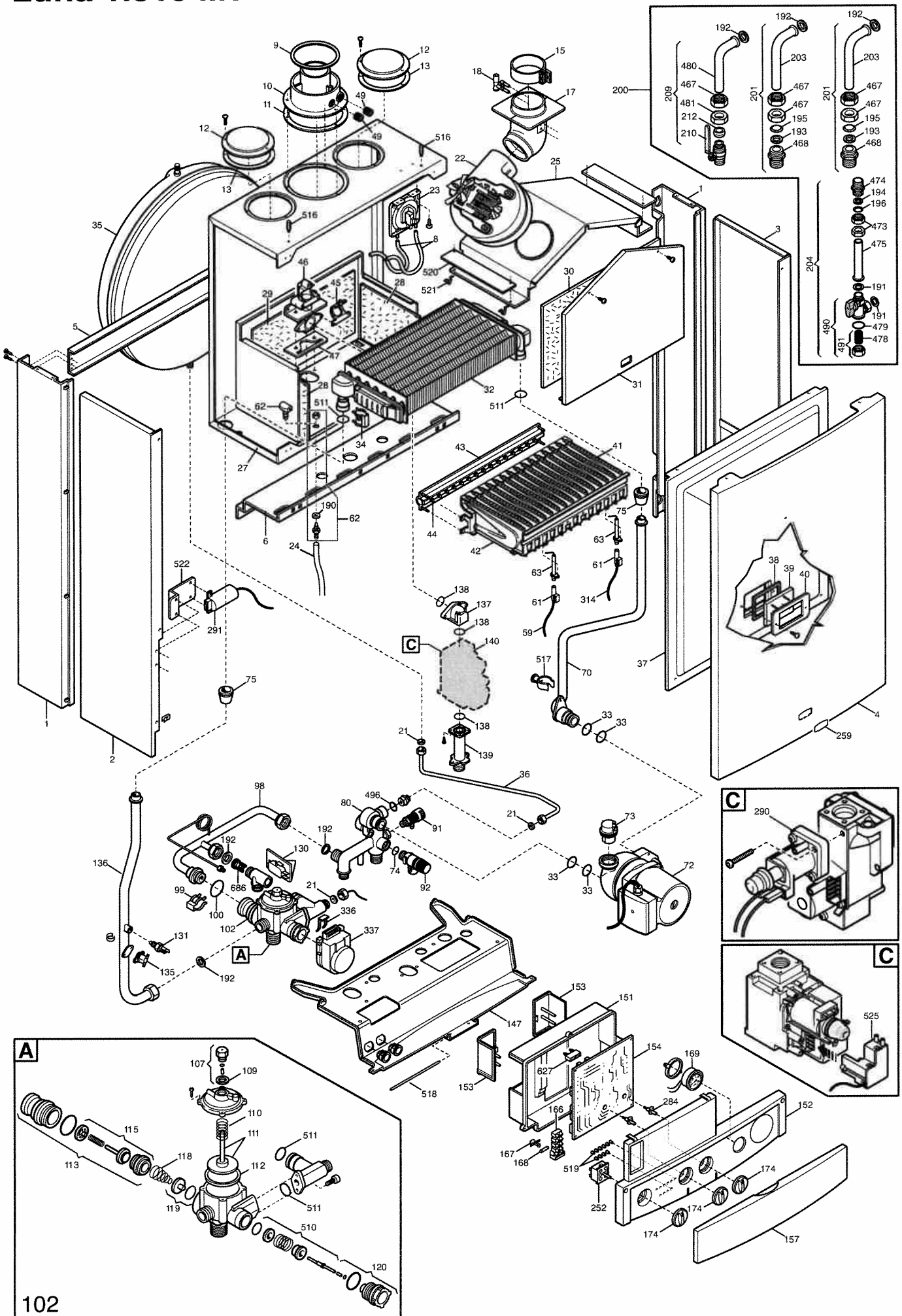
Luna 280 i



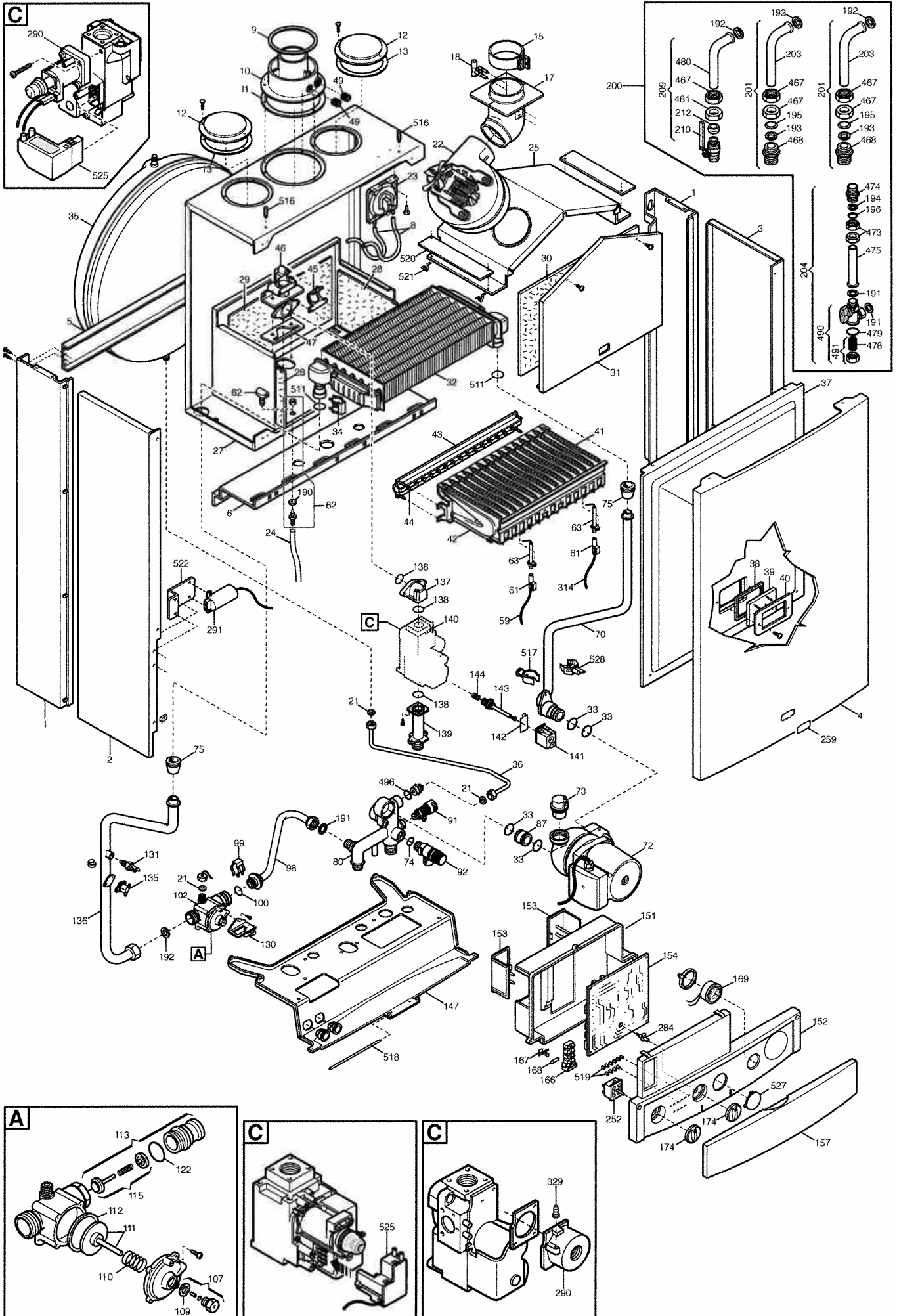
Luna 1.240 Fi



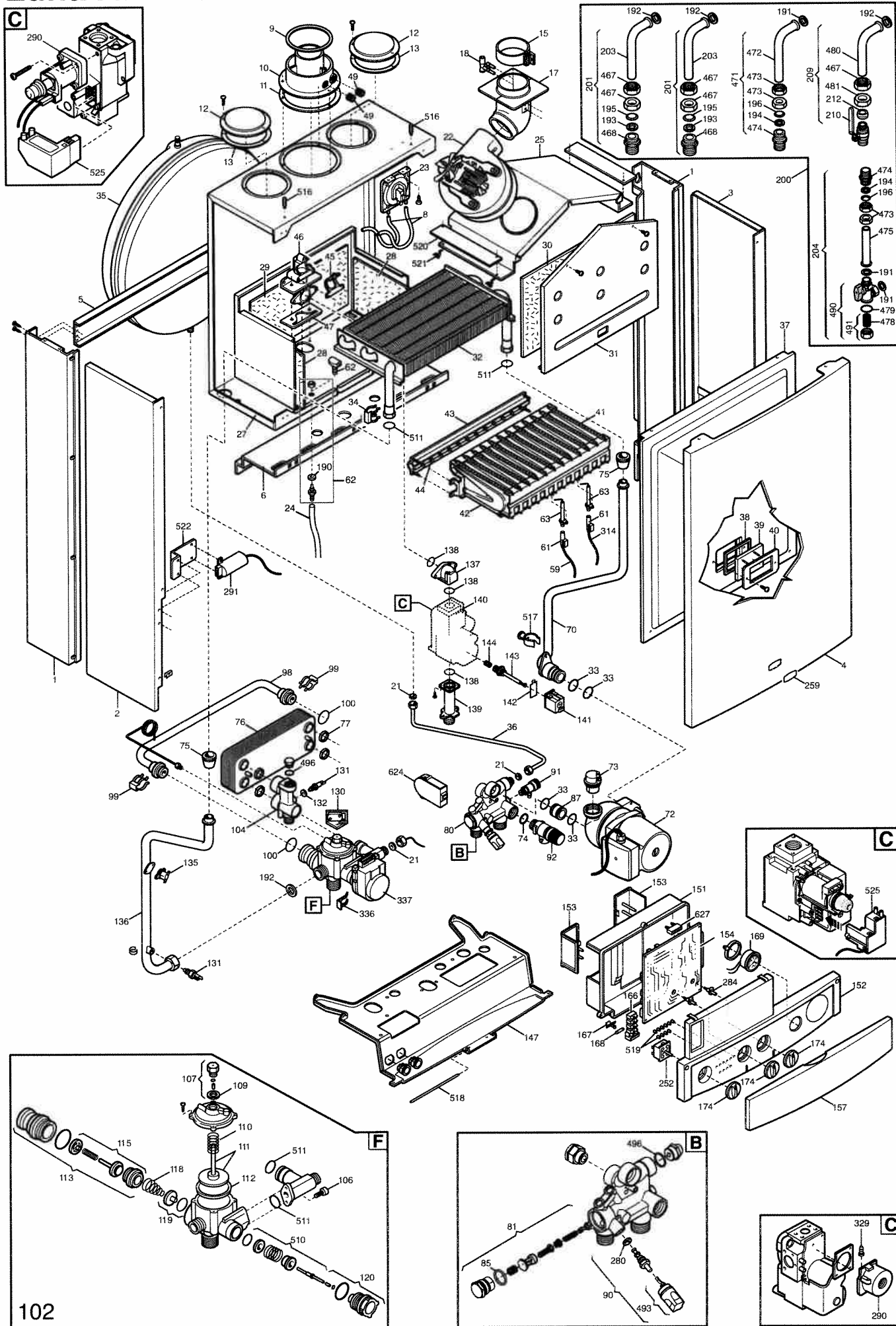
Luna 1.310 Mv



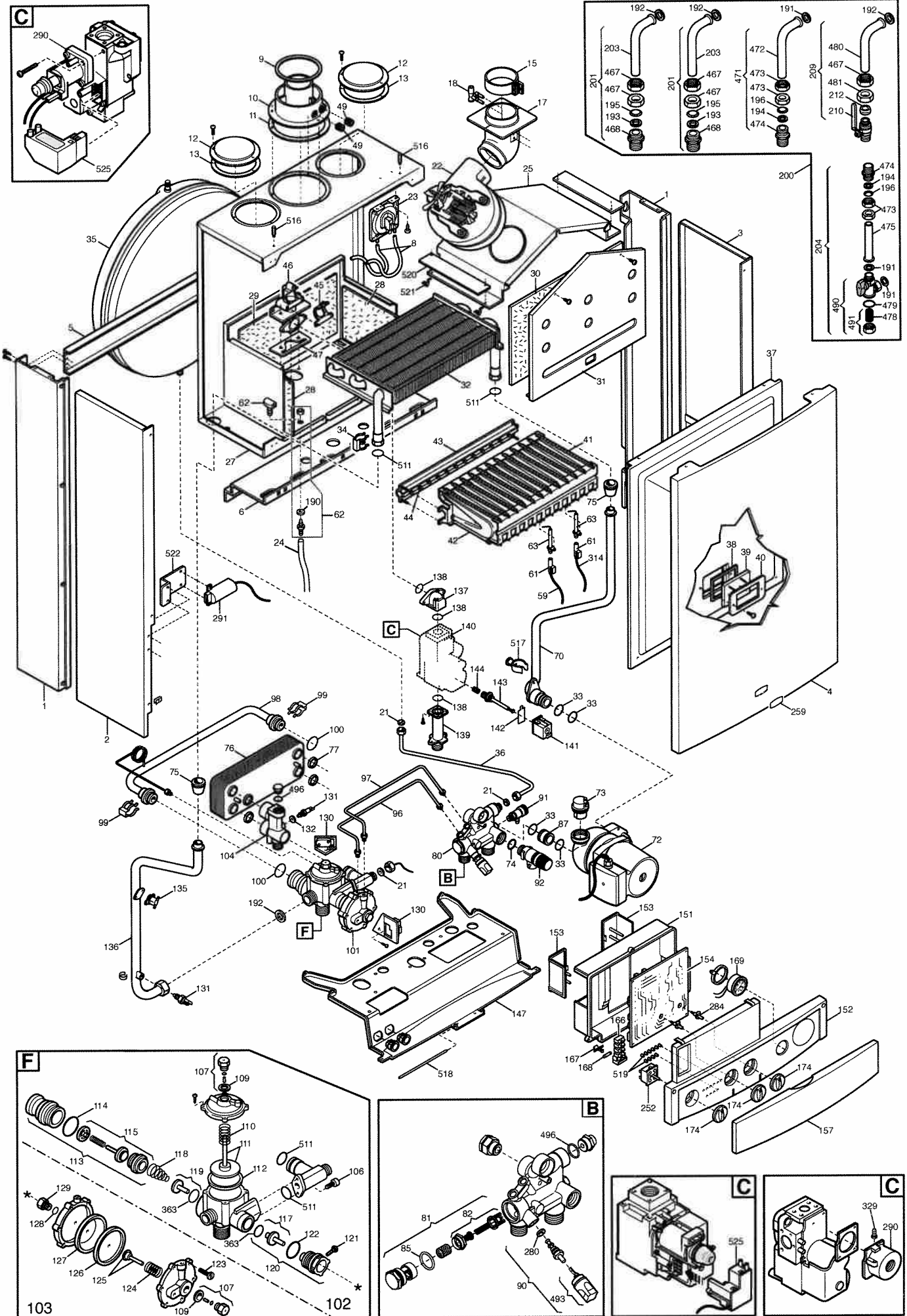
Luna 1.310 Fi



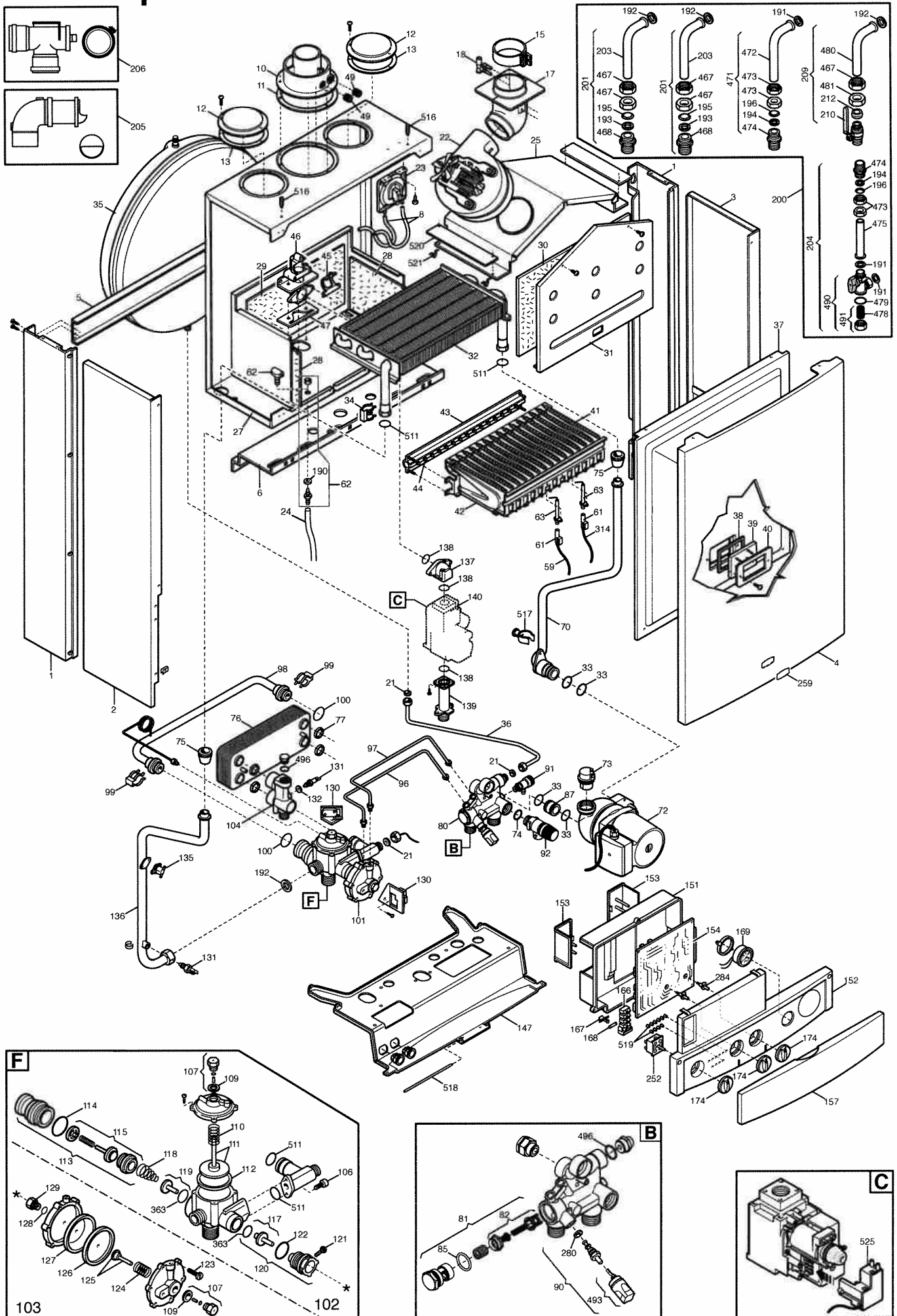
Luna Air 240 Fi



Luna 240 Fi



Luna Super 240



Luna 310 Fi

