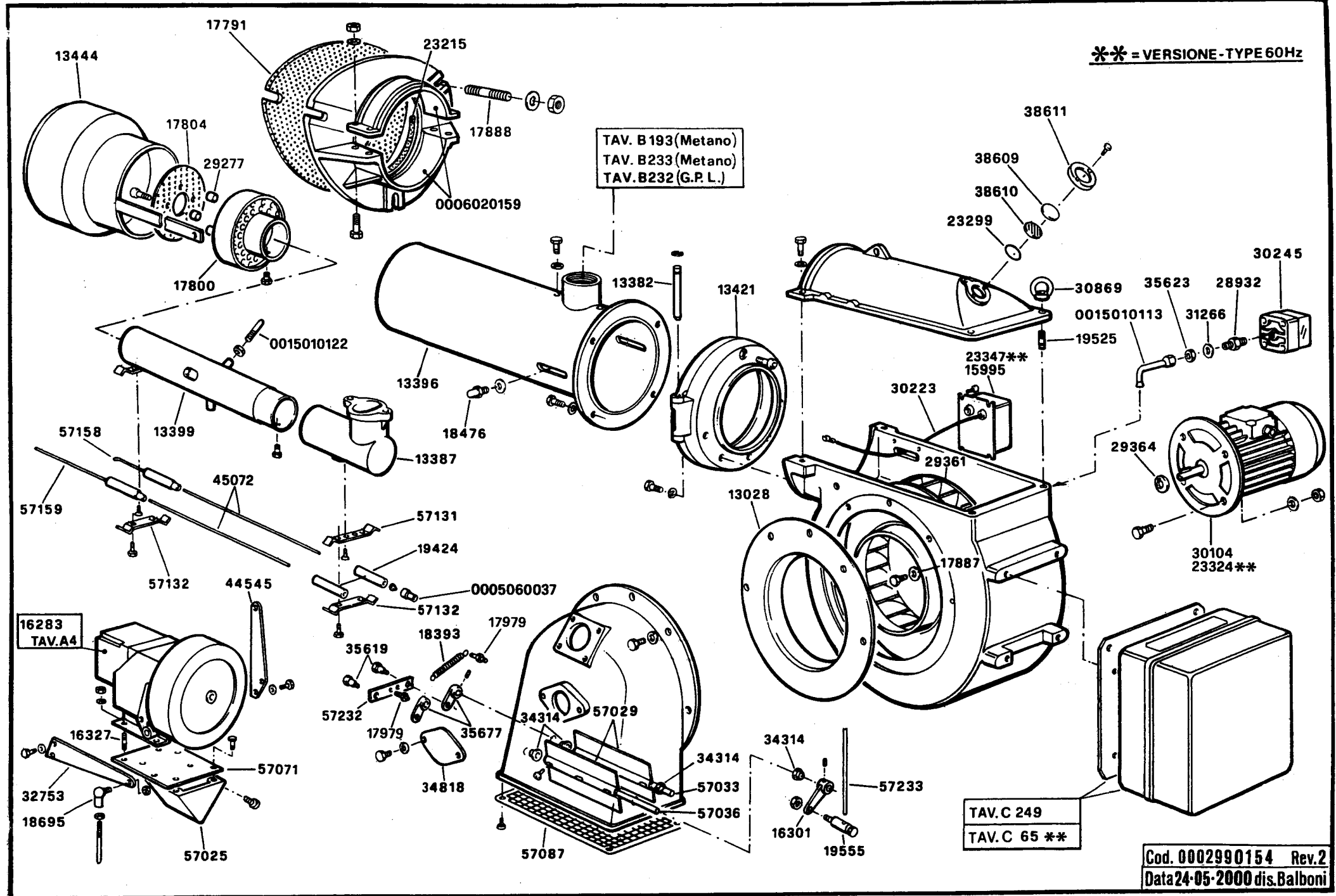
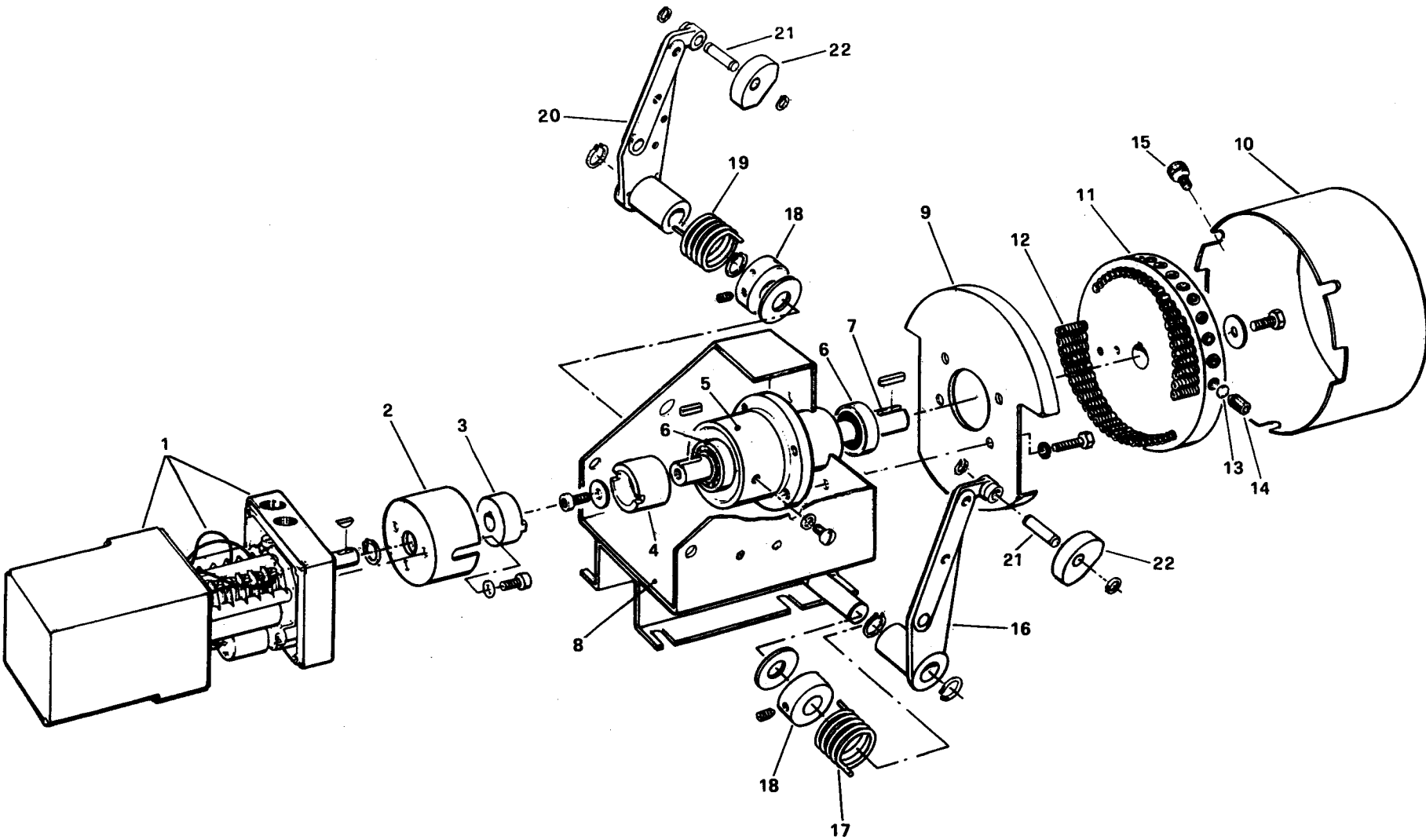


**** = VERSIONE - TYPE 60Hz**

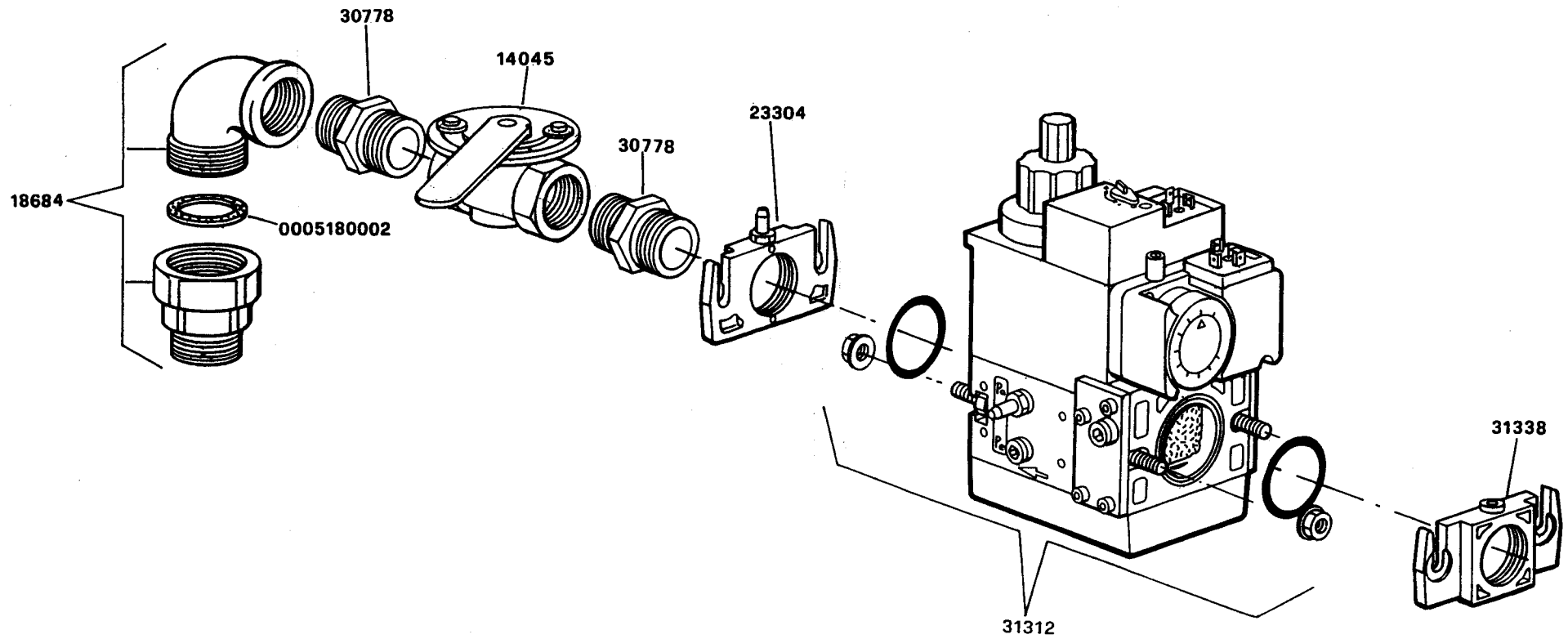


GRUPPO MODULATORE - MODULATING SYSTEM - SYSTEME DE MODULATION - MODULATIONSSYSTEM

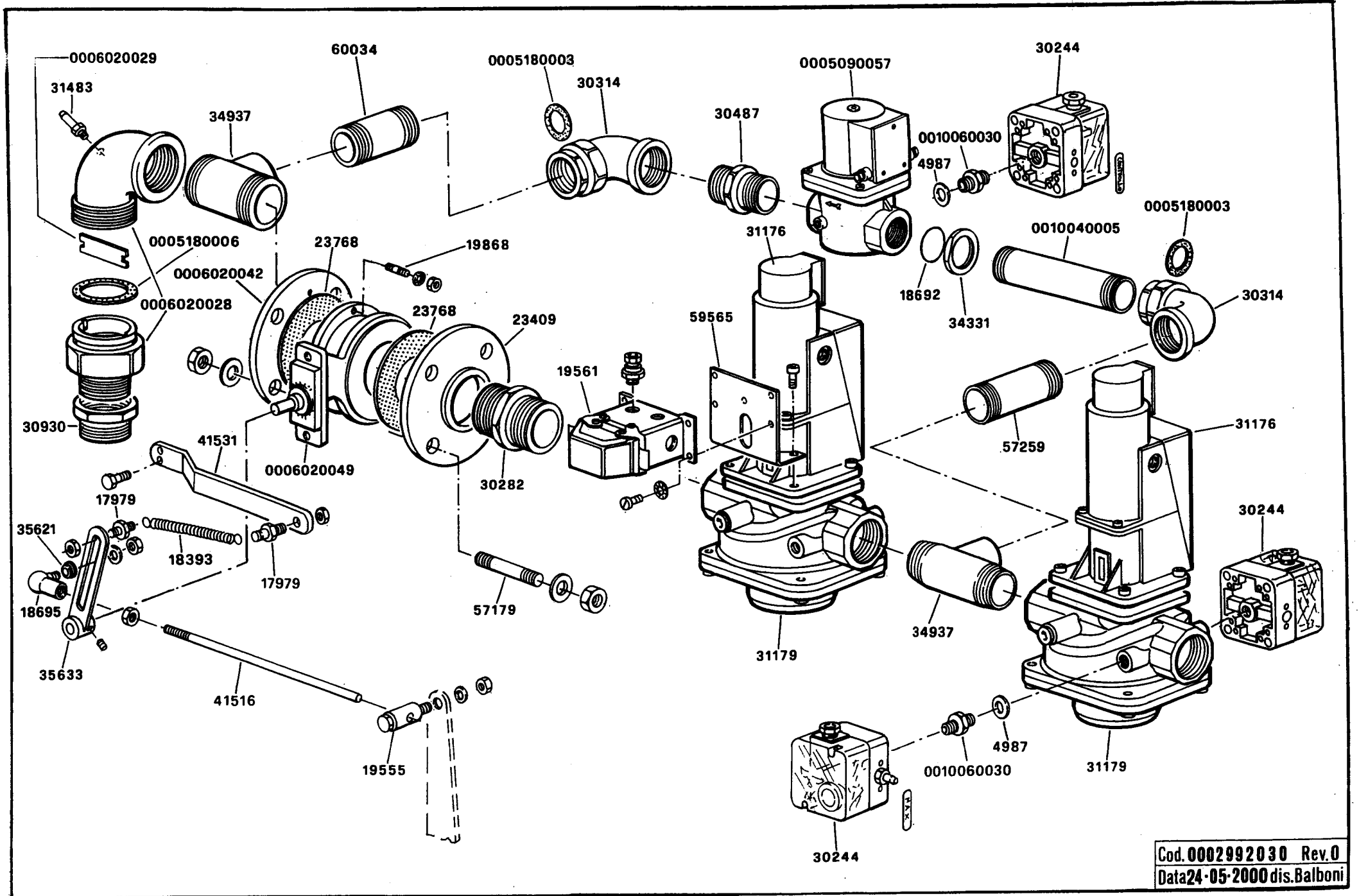
cod.16283



Cod. 0002990920 Rev.2
Data 12-02-2001 dis.Balboni

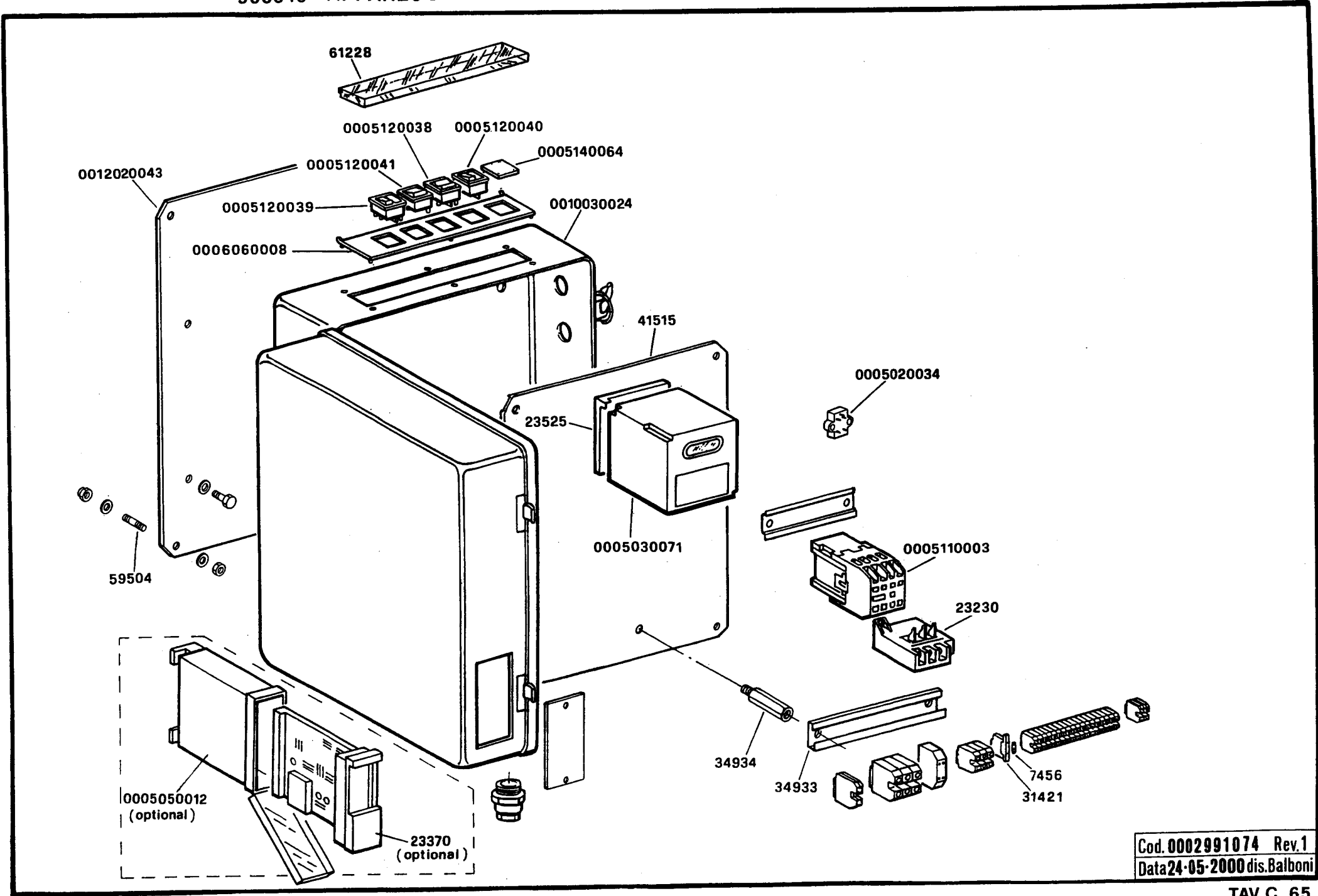


901168 - RAMPA GAS - TREN DE GAS - GAS TRAIN - RAMPE A GAZ - GASRAMPE 2"



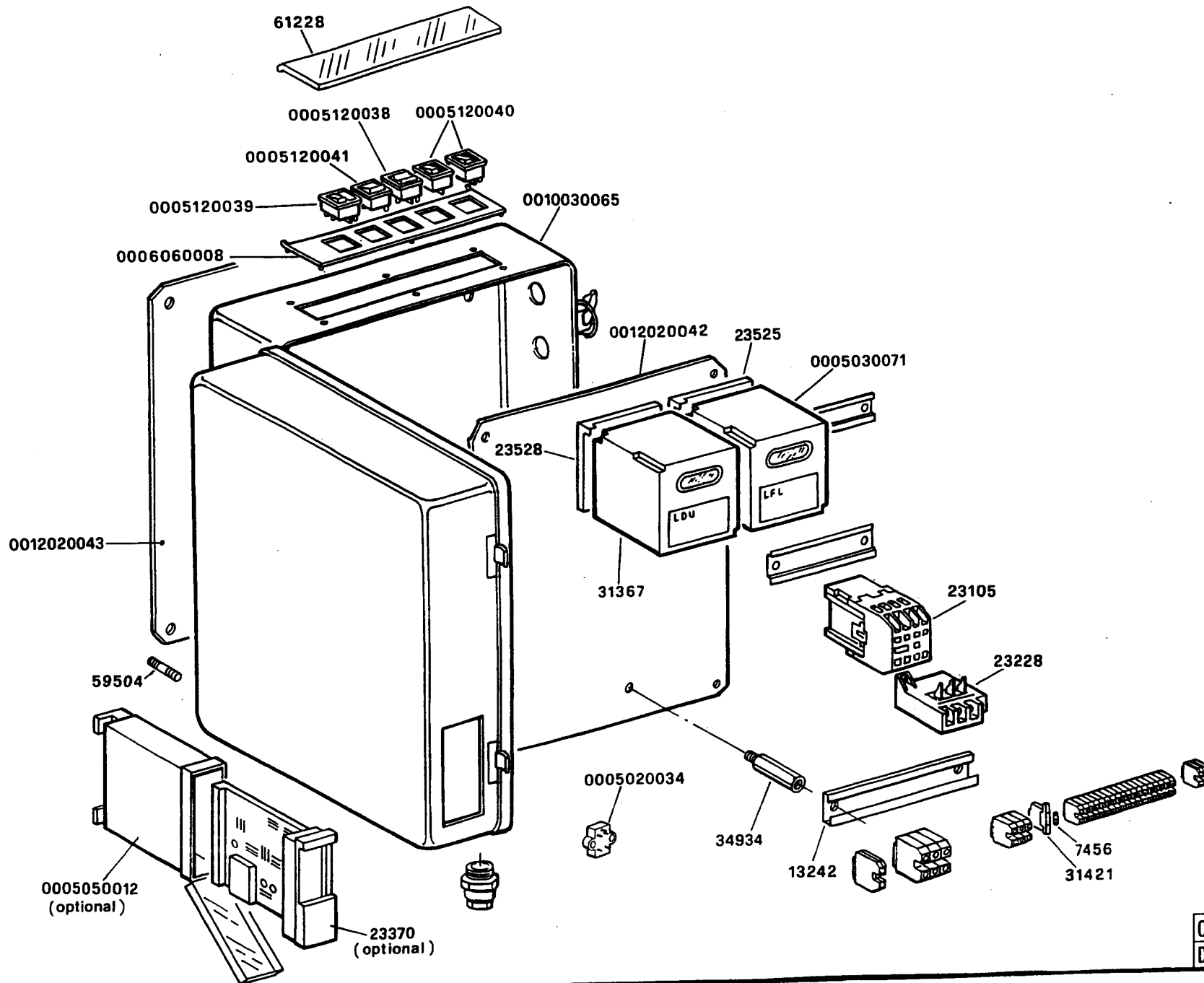
Cod. 0002992030 Rev. 0
 Data 24-05-2000 dis. Balboni

900340 - APPARECCHIATURA - CONTROL PANEL - APPAREILLAGE ELECTRIQUE - SCHALTGERAETE



Cod. 0002991074 Rev.1
Data 24-05-2000 dis. Balboni

QUADRO ELETTRICO - CONTROL PANEL - CUADRO ELECTRICO - APPAREILLAGE ELECTRIQUE - SCHALTGERAETE



Cod. 0002992029 Rev.0
Data 24-05-2000 dis. Balboni

TAV. C249