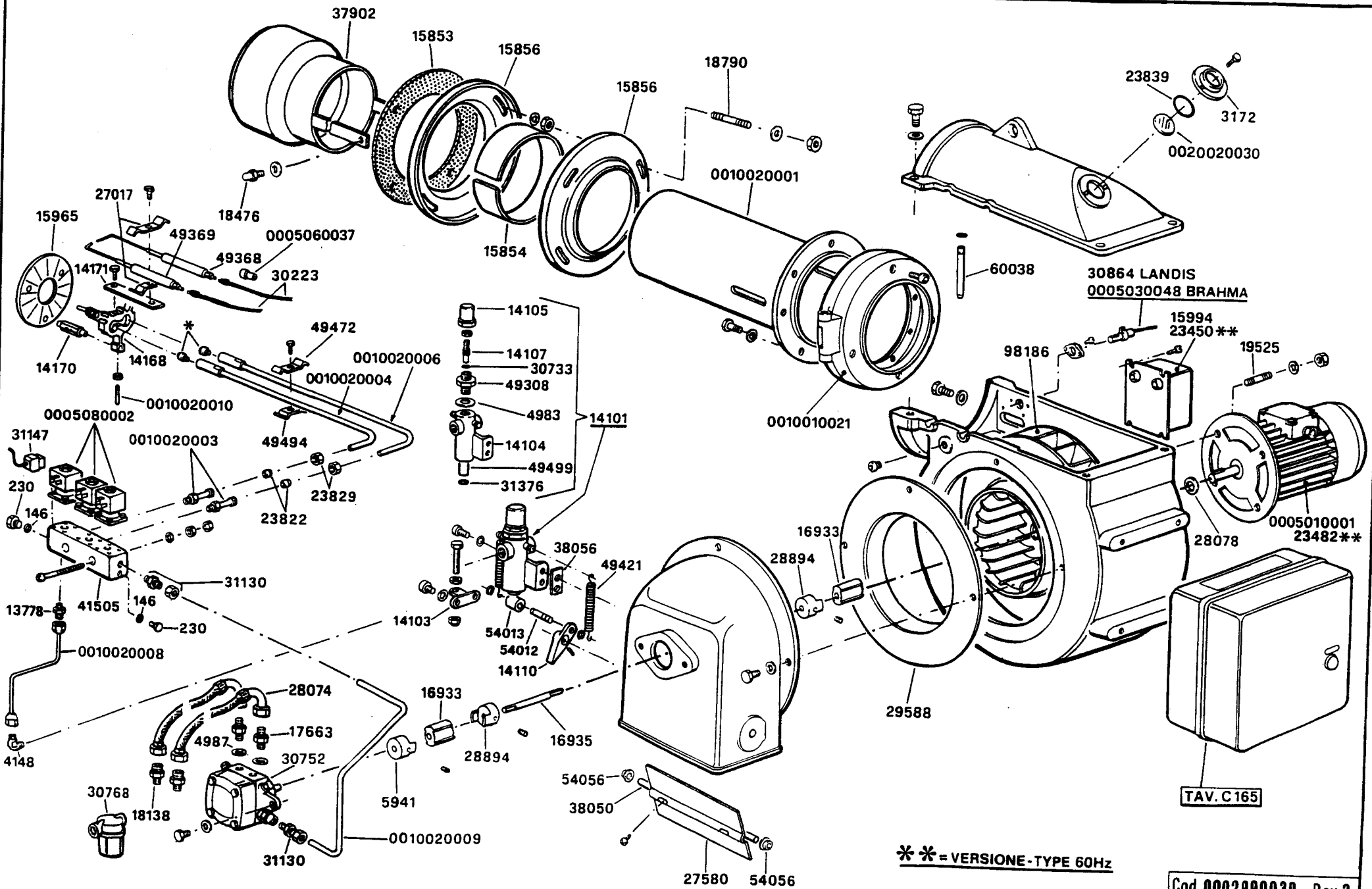


BT 100DSG

50Hz cod.3090010 + 60Hz cod.30905410



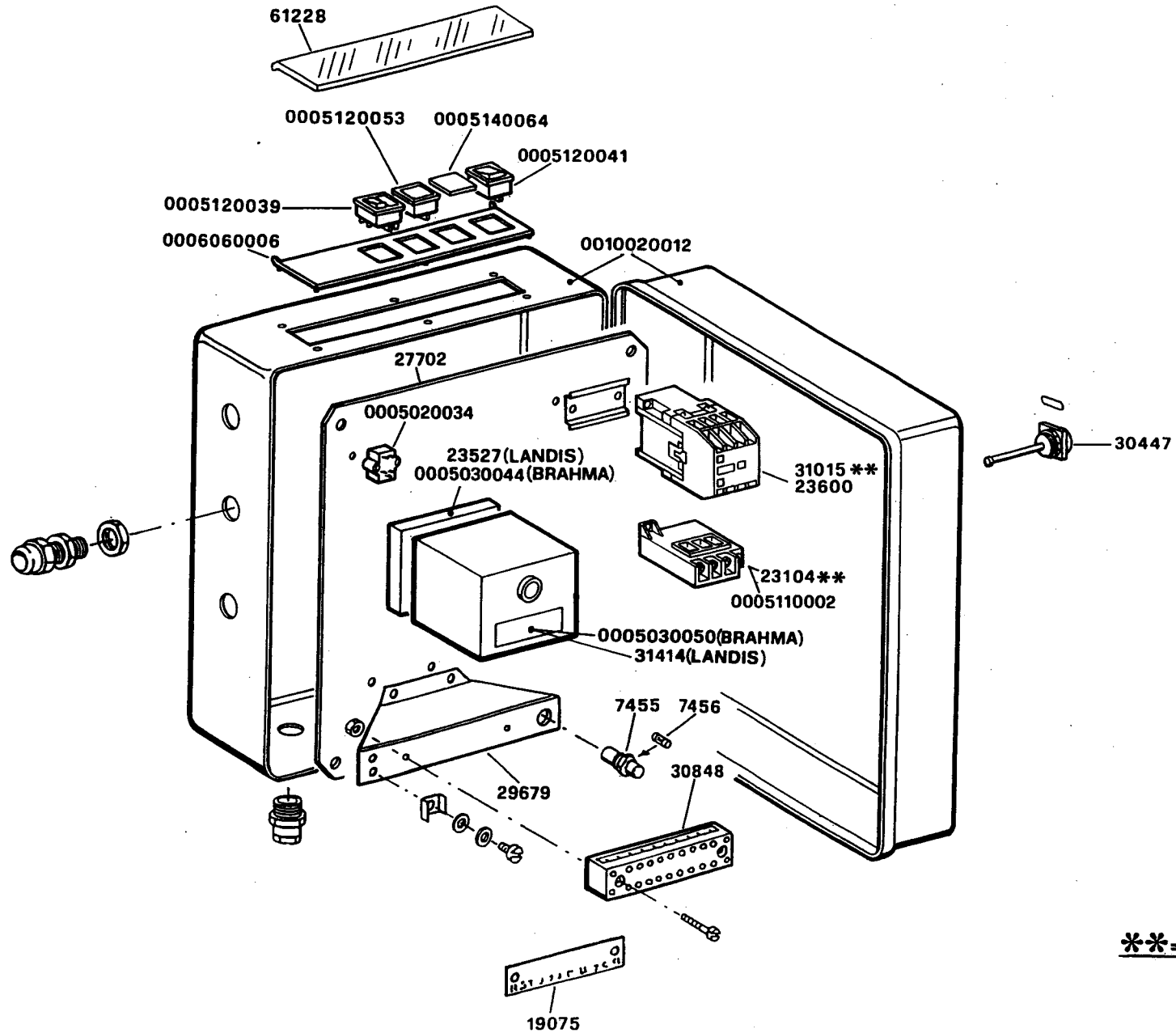
30864 LANDIS
0005030048 BRAHMA

TAV. C165

** = VERSIONE - TYPE 60Hz

Cod. 0002990039 Rev. 3
Data 29-02-2000 dis. Balboni

APPARECCHIATURA - CONTROL PANEL - APPAREILLAGE ELECTRIQUE - SCHALTGERAETE



** = VERSIONE - TYPE 60Hz

Cod. 0002990040 Rev.1
Data 30-10-97 Dis. Balboni D.