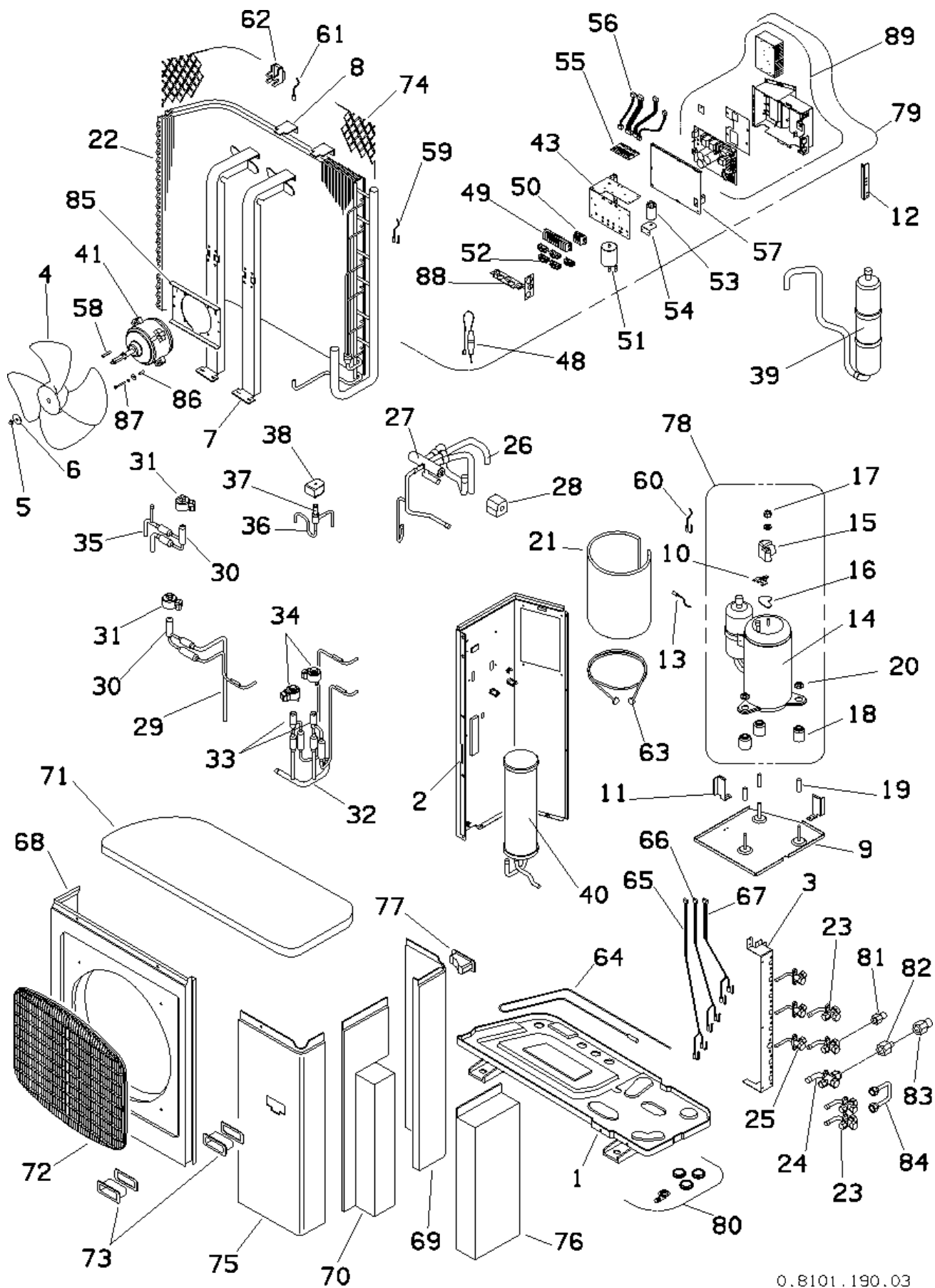


# AEI1G65EMX UE ISERIES 6.5KW ARGO



0.8101.190.03

<b>codice</b>	<b>modello</b>	
387007217	AEI1G65EMX	23/09/15

rif.	codice	descrizione	q.tà	inizio val.	fine val.	da matr.	a matr.
1	6740001115	ASS BASAMENTO DCI6.5KW	1	19/06/13	31/12/9999		
2	6760000903	ASS.DIVISORIO BATT/COMP G65EMX	1	19/06/13	31/12/9999		
3	6760000904	STAFFA SUPP.RUBIN.NW-A54 G65EMX	1	19/06/13	31/12/9999		
* 4	6380190119	VENTOLA UE PACKAGE	1	19/06/13	31/12/9999		
5	6380126705	DADO VENTOLA	1	19/06/13	31/12/9999		
6	6380047574	RONDELLA ZINC.DI6.4DE 24	1	19/06/13	31/12/9999		
7	6380190102	STAFFA SUPP.VENTIL.C25	1	19/06/13	31/12/9999		
8	6740000908	SQUADRA PROTEZ.BATTERIA UE22HP	1	19/06/13	31/12/9999		
9	6760000905	PIASTRA BASE COMPR. G65EMX	1	19/06/13	31/12/9999		
10	6760000906	SUPPORTO SENSORE	1	19/06/13	31/12/9999		
11	6740001118	SQUADR.SUPP.SEPARATORE DCI6	1	19/06/13	31/12/9999		
12	6740001119	ANGOLARE SCAT.ELETTRICA DCI6	1	19/06/13	31/12/9999		
* 13	6706000284	GR.SONDA TESTA COMPRESSORE	1	19/06/13	31/12/9999		
* 14	6740001121	COMPRESSORE TNB220FLHMT TW-410	1	19/06/13	31/12/9999		
15	6760000890	COPERCHIO OMPR.CR25C517	1	19/06/13	31/12/9999		
16	6760000891	GUARNIZ COPERCHIO COMPR.	1	19/06/13	31/12/9999		
17	6750000131	DADO COPERCHIO COMPRESS.	1	19/06/13	31/12/9999		
18	6720000590	ANTIVIBR.COMPR.(VCS01D211)	1	19/06/13	31/12/9999		
19	6740001122	DISTANZIALE COMPR.DI8-L38	1	19/06/13	31/12/9999		
20	6230296497	DADO C/BORDO	1	19/06/13	31/12/9999		
21	6760000892	ISOLANTE COMPRESSORE 215X475	1	19/06/13	31/12/9999		
22	6760000907	BATTERIA	1	19/06/13	31/12/9999		
23	6760000893	GR VALVOLA 3/8"	1	19/06/13	31/12/9999		
24	6760000894	GR VALVOLA 1/2"	1	19/06/13	31/12/9999		
25	6760000895	GR. VALVOLA 1/4"	1	19/06/13	31/12/9999		
26	6760000908	GRUPPO TUBI	1	19/06/13	31/12/9999		
* 27	6740000906	VALV.4V (TIPO V2-410060-300)	1	19/06/13	31/12/9999		
* 28	6706000069	BOBINA Elett.240V LDK-241RANCO	1	19/06/13	31/12/9999		
29	6760000909	GRUPPO TUBI	1	19/06/13	31/12/9999		
* 30	6740000523	VALV. ESPAN.SAGINOMIYA UKV	1	19/06/13	31/12/9999		
31	6704000118	BOBINA EL.SAGINOMIYA UKV 030E	1	19/06/13	31/12/9999		
32	6760000910	GR.TUBO VALV.ESP.B(2)-C	1	19/06/13	31/12/9999		
* 33	6760000780	VALV. ESPANS. Elett.CAM-BD15EX	1	19/06/13	31/12/9999		
* 34	6706000150	BOBINA VALV.ESPANS. L500	1	19/06/13	31/12/9999		
35	6760000911	GR.TUBO VALVOLA ESP.BP G65EMX	1	19/06/13	31/12/9999		
36	6760000912	TUBO VALVOLA DEFROST	1	19/06/13	31/12/9999		
* 37	6760000781	VALV.DEFROST FDF6A-049-RK	1	19/06/13	31/12/9999		
* 38	6706000151	BOBINA VALV DEFROST L600	1	19/06/13	31/12/9999		
39	6740001129	SEPARATORE DI LIQUIDO DCI6	1	19/06/13	31/12/9999		
40	6760000913	SERBATOIO AD ACCUMULO	1	19/06/13	31/12/9999		
* 41	6706000263	MOTORE SIC-71FW-D890-3	1	19/06/13	31/12/9999		
43	6740001131	QUADRO ELET.LAM DCI6.5KW	1	19/06/13	31/12/9999		
* 48	6706000237	GR CAVO CON FUSIBILE DCI6.5KW	1	19/06/13	31/12/9999		
* 49	6706000229	MORSETTIERA 11P	1	19/06/13	31/12/9999		
* 50	6706000238	MORSETTIERA 3P	1	19/06/13	31/12/9999		
* 51	6706000239	INDUTTORE 30KHZ-1.5MH-T90	1	19/06/13	31/12/9999		
52	6231422567	FISSACAVO PA268/SQ	1	19/06/13	31/12/9999		
* 53	6706000240	FILTRO DI RETE FLC2H446061	1	19/06/13	31/12/9999		
54	6740001132	SQUADR SUPP.FILTRO DI RETE	1	19/06/13	31/12/9999		
* 55	6706000241	SCHEDA ESPANS. DCI6.5KW	1	19/06/13	11/12/14		
* 55	6706000241	SCHEDA DI ESPANSIONE 4/5E 4/5E	1	11/12/14	31/12/9999		

* 55	6706000345	SCHEDA DI ESPANSIONE 4VIE (V2)	1	11/12/14	31/12/9999		
* 56	6706000242	CABLAGGIO SCHEDA ESPANS.DCI6	1	19/06/13	31/12/9999		
57	6760000914	COPERCHIO SCATOLA ELETTR.G65EMX	1	19/06/13	31/12/9999		
58	6760000915	PIASTRINA SPESS.VENTOLA G65EMX	1	19/06/13	31/12/9999		
* 59	6706000154	SONDA BATTERIA (2P RED) L350	1	19/06/13	31/12/9999		
* 60	6706000155	SONDA TUBO MAND (2P GREEN)	1	19/06/13	31/12/9999		
* 61	6706000184	SONDA ARIA L950 (2P-WHT)	1	19/06/13	31/12/9999		
62	6740001091	SUPPORTO Sonda ARIA	1	19/06/13	31/12/9999		
63	6230036031	RISCALDATORE CARTER 240V/20W	1	19/06/13	31/12/9999		
* 64	6706000243	RESISTENZA ANTIGELO 75W DCI6	1	19/06/13	31/12/9999		
* 65	6706000244	GR SOND E RGT A DCI6.5KW	1	19/06/13	31/12/9999		
* 66	6706000245	GR SOND E RGT B DCI6.5KW	1	19/06/13	31/12/9999		
* 67	6706000246	GR SOND E RGT C DCI6.5KW	1	19/06/13	31/12/9999		
68	6740001134	PANN FRONT. C/BOCC.DCI6.5KW	1	19/06/13	31/12/9999		
69	6740001135	PANN POSTERIORE DCI6.5KW	1	19/06/13	31/12/9999		
70	6760000916	PANNELLO LATERALE DESTRO	1	19/06/13	31/12/9999		
71	6740001137	PANN. SUPERIORE DCI6.5KW	1	19/06/13	31/12/9999		
72	6380190089	GRIGLIA MANDATA UE PACKAGE	1	19/06/13	31/12/9999		
73	6230503502	MANIGLIA U.E.GRI.NW-A54	1	19/06/13	31/12/9999		
74	6380126033	RETE PROT.BATT.UE PACK 25000	1	19/06/13	31/12/9999		
75	6740001138	PANN FRONTALE DCI6.5KW	1	19/06/13	31/12/9999		
76	6740001139	COPERTURA RUBINETTI DCI6.5KW	1	19/06/13	31/12/9999		
77	6230503526	MANIGLIA PANN.LAT.SX.U.E.	1	19/06/13	31/12/9999		
78	6740001140	COMPR. TNB220FLHMT C/ACCESS	1	19/06/13	31/12/9999		
* 79	6706000332	GR QUADRO EL.V2 UE G65EMX	1	04/11/14	31/12/9999		
* 79	6706000279	GR QUADRO ELETTRICO AEI1G65EMX	1	19/06/13	04/11/14		
80	6740001141	GR TUBETTO DRENAGGIO D.32/18	1	19/06/13	31/12/9999		
81	6740001080	GR RIDUZIONE 1/2M-3/8F	1	19/06/13	31/12/9999		
82	6740001142	GR RIDUZIONE 3/8M-1/2F	1	19/06/13	31/12/9999		
83	6740001143	GR RIDUZIONE 5/8M-1/2F	1	19/06/13	31/12/9999		
84	6760000917	TUBO COLLEGAMENTO	1	19/06/13	31/12/9999		
85	6760000918	SUPPORTO MOTORE G65EMX	1	19/06/13	31/12/9999		
86	6740001197	DISTANZ. MOTORE DE5,3-DI4 1-L1	1	19/06/13	31/12/9999		
87	6740001198	VITI/ROND SUPP. MOTORE	1	19/06/13	31/12/9999		
* 89	6706000348	GR.SCHEDA/DISS. UE G65EMX	1	14/01/15	31/12/9999		
998	08101190	ESPLOSO UE 6.5KW-EMX	1	19/06/13	31/12/9999		
999	6760000919	KIT IMBALLO AEI1G65EMX ARGO	1	19/06/13	31/12/9999		